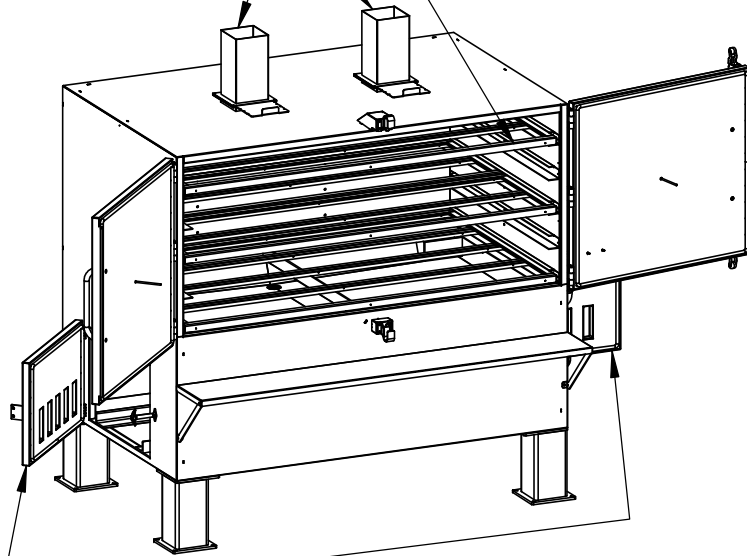


DUAL STACKS WITH
STAINLESS STEEL
SLIDING DAMPERS

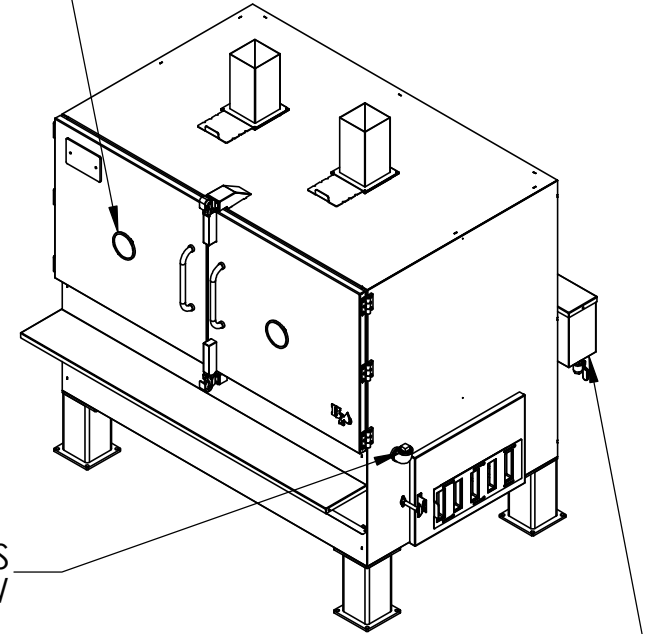
INCLUDES 3 FULL-DEPTH RACKS,
5 RACK SLOTS TOTAL



DUAL FIREBOX DOORS WITH
STAINLESS STEEL SLIDING DAMPERS

1. HANDCRAFTED IN THE USA
2. 100% INSULATED
3. 100% WELDED
4. HIGH-TEMPERATURE DURABLE POWDER COAT FINISH
5. OPTIMIZED SHAPE TO MAXIMIZE CAPACITY

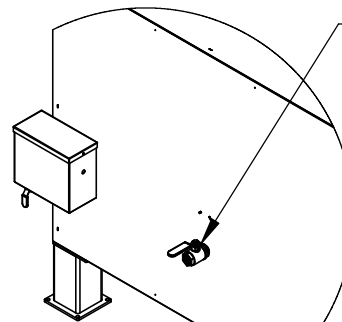
INTERNAL
THERMOMETER



SIGHT GLASS
ELBOW

AUTOMATED WATER FILL SYSTEM

1 1/2" BRASS
DRAIN VALVE



REAR VIEW

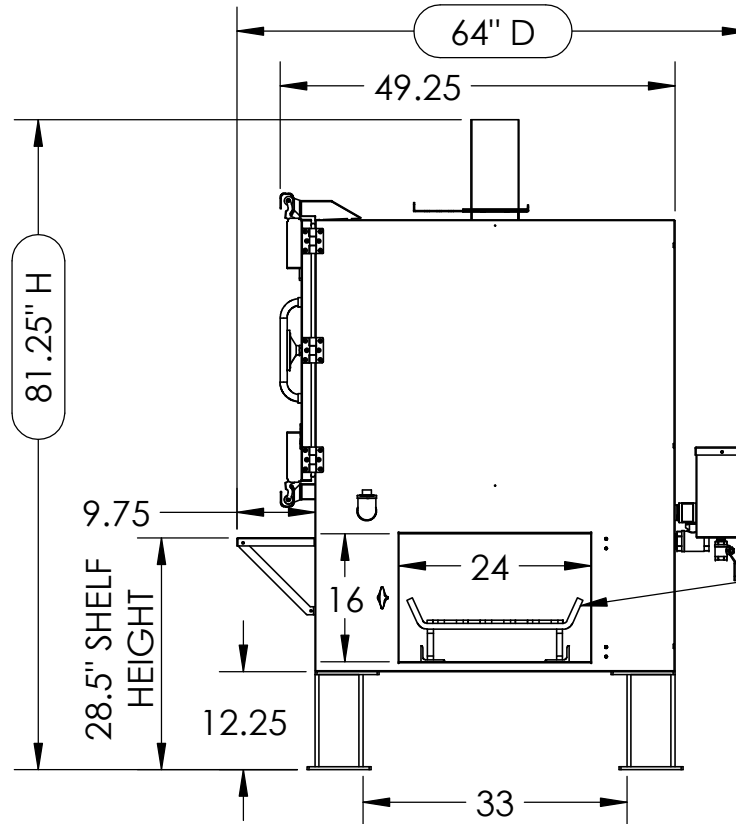
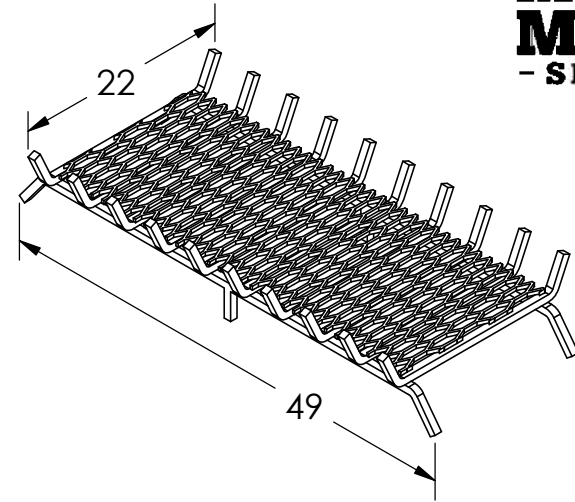
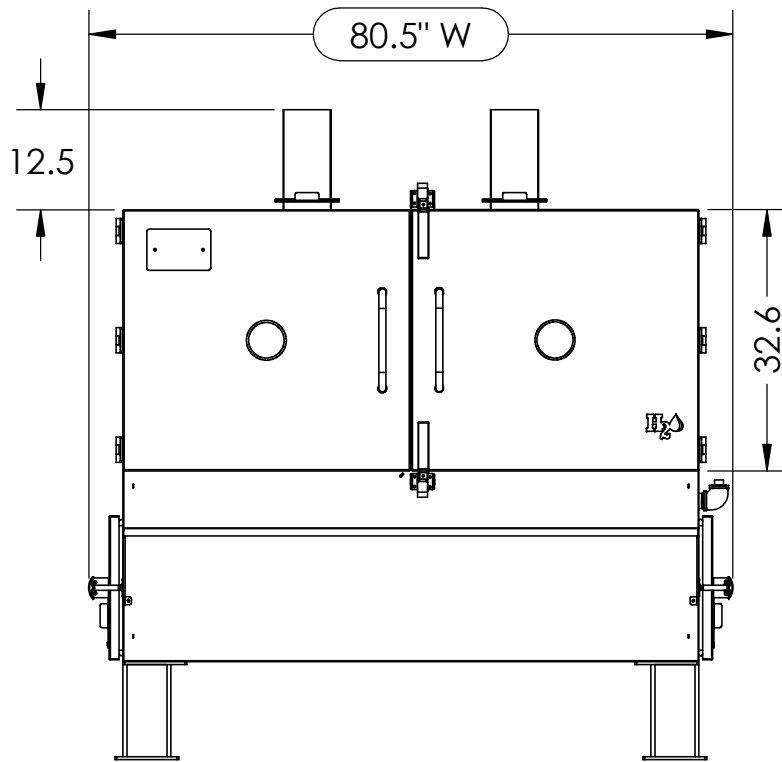
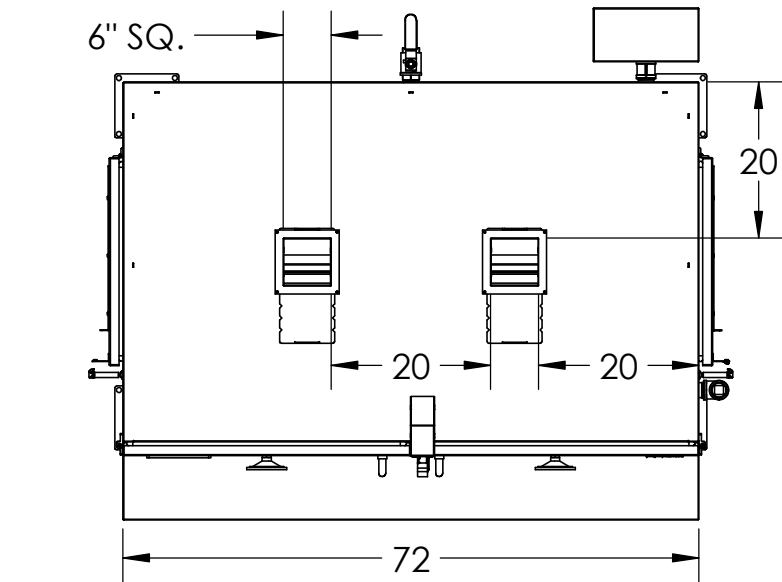
179 Cross Rd, Waterford, CT. 06385
PHONE 1-855-HOG-RULES
Monday thru Friday: 8am-5pm EST
<https://myronmixonsmokers.com>

MODEL **MMS-1K**

DRAWN BY J. PFLOMM, M. WHITTLE

REV 02	DATE 6/12/2018	SHEET 1
--------	----------------	---------

MYRON MIXON - SMOKERS -



3/4" SQ. STEEL
LOG BASKET

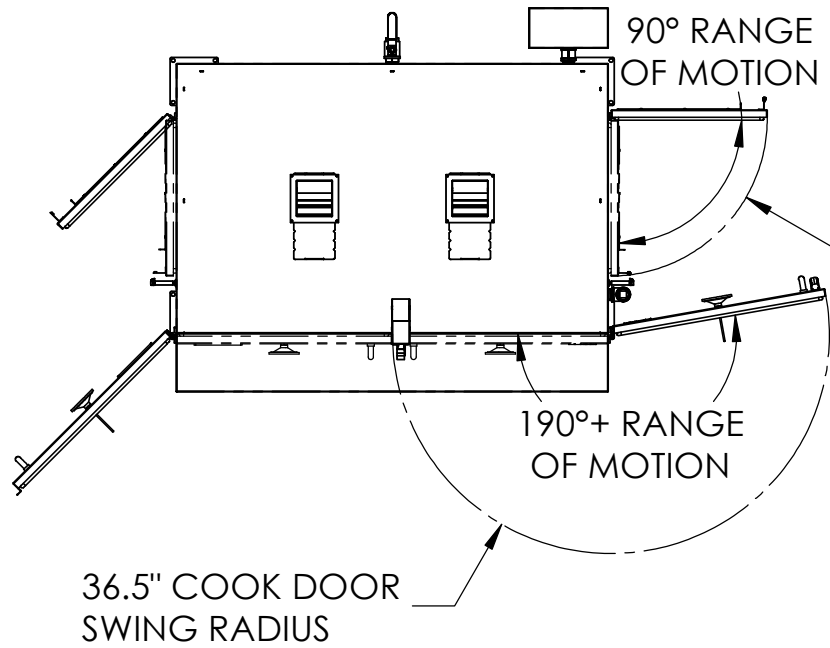
179 Cross Rd, Waterford, CT. 06385
PHONE 1-855-HOG-RULES
Monday thru Friday: 8am-5pm EST
<https://myronmixonsmokers.com>

MODEL **MMS-1K**

DRAWN BY J. PFLOMM, M. WHITTLE

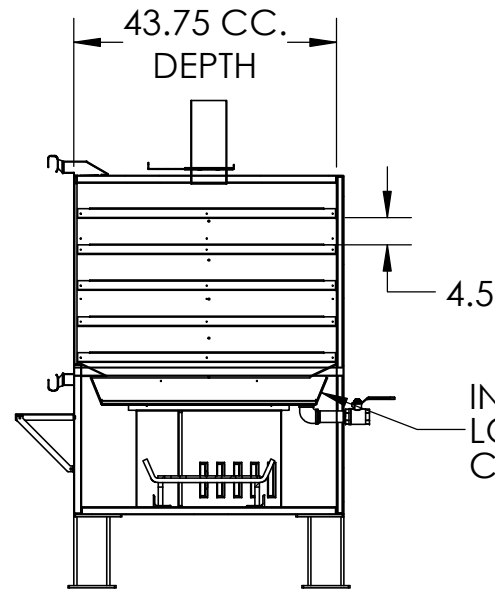
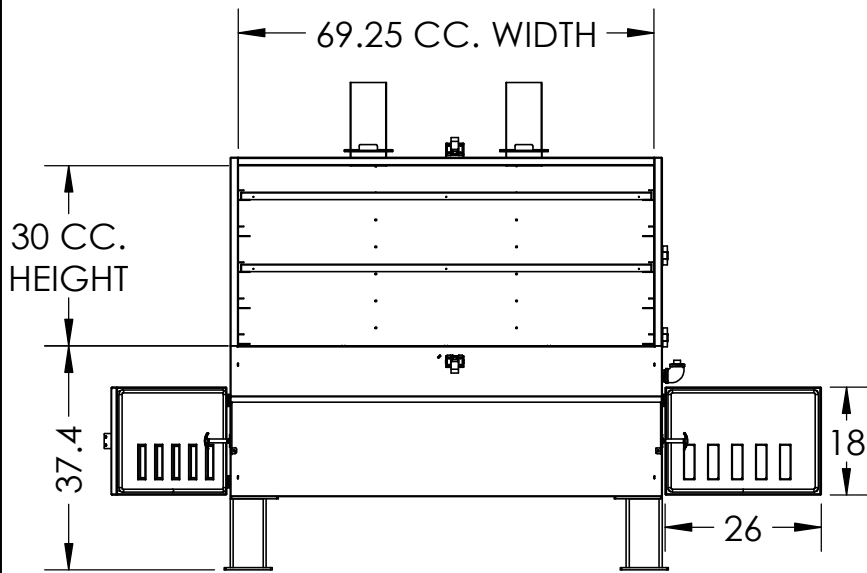
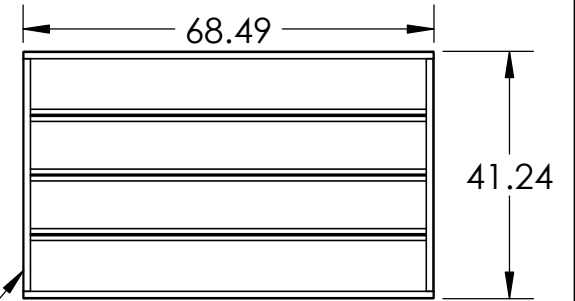
REV 02 DATE 6/12/2018 SHEET 2

MYRON MIXON - SMOKERS -



26.25" FIREBOX DOOR SWING RADIUS

RACK AREA:
2825 IN² PER RACK
8475 IN² STOCK
14125 IN² MAX



INTEGRATED WATER PAN LOCATED BETWEEN THE COOK CHAMBER & FIREBOX

179 Cross Rd, Waterford, CT, 06385
PHONE 1-855-HOG-RULES
Monday thru Friday: 8am-5pm EST
<https://myronmixonsmokers.com>

MODEL	MMS-1K		
DRAWN BY	J. PFLOMM, M. WHITTLE		
REV	DATE	SHEET	
02	6/12/2018	3	