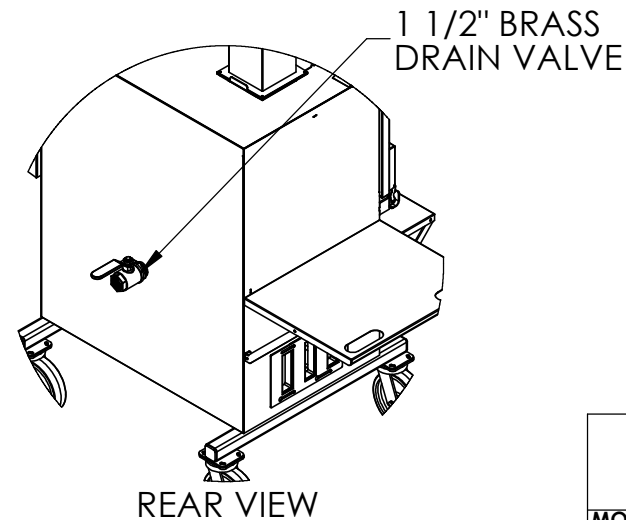
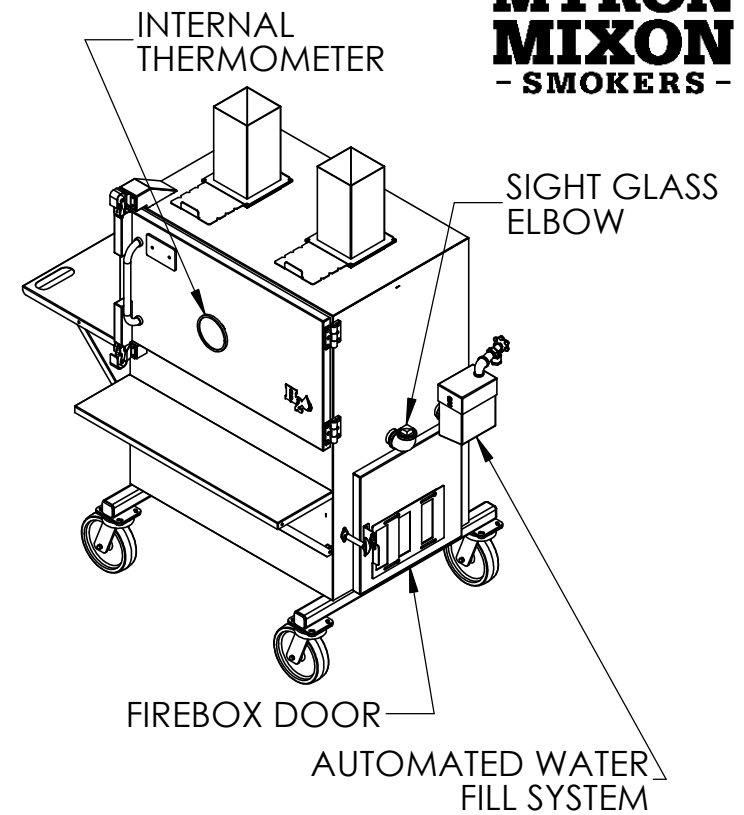
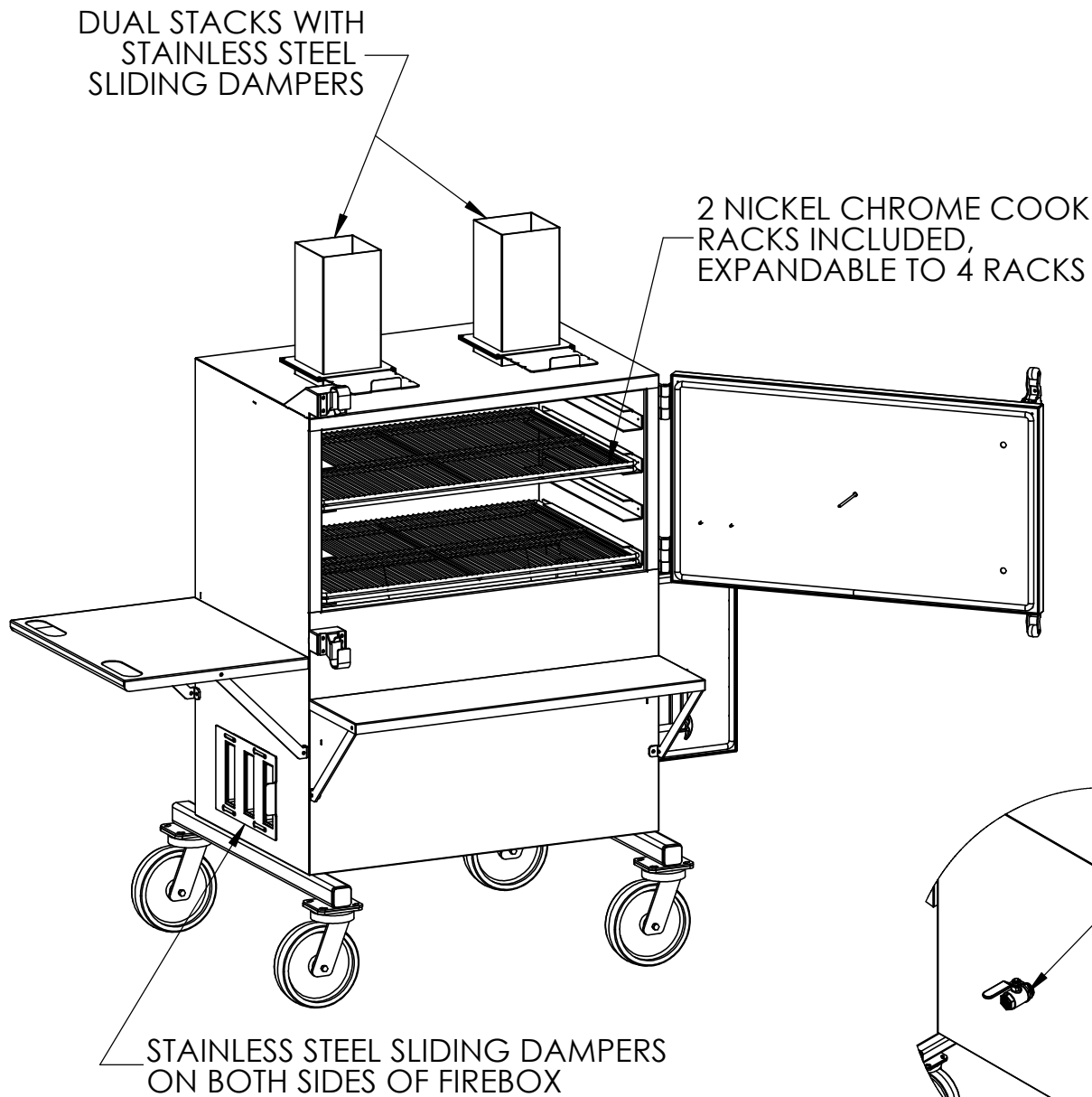


MYRON MIXON - SMOKERS -



1. HANDCRAFTED IN THE USA
2. 100% INSULATED
3. 100% WELDED
4. HIGH-TEMPERATURE DURABLE POWDER COAT FINISH
5. OPTIMIZED SHAPE TO MAXIMIZE CAPACITY

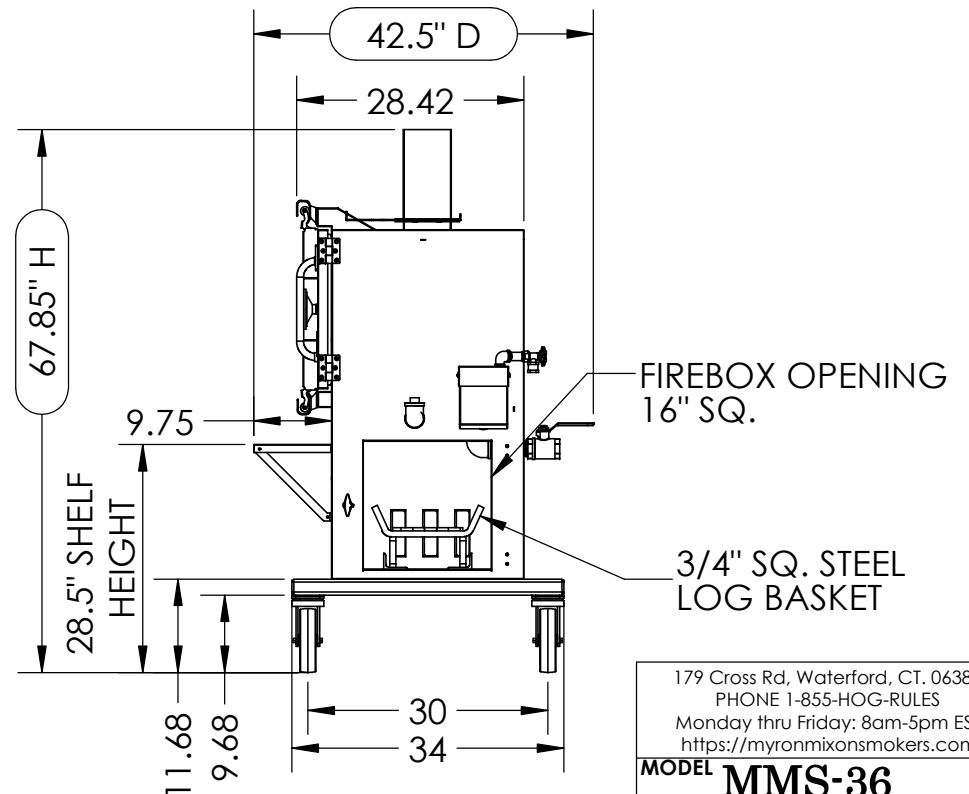
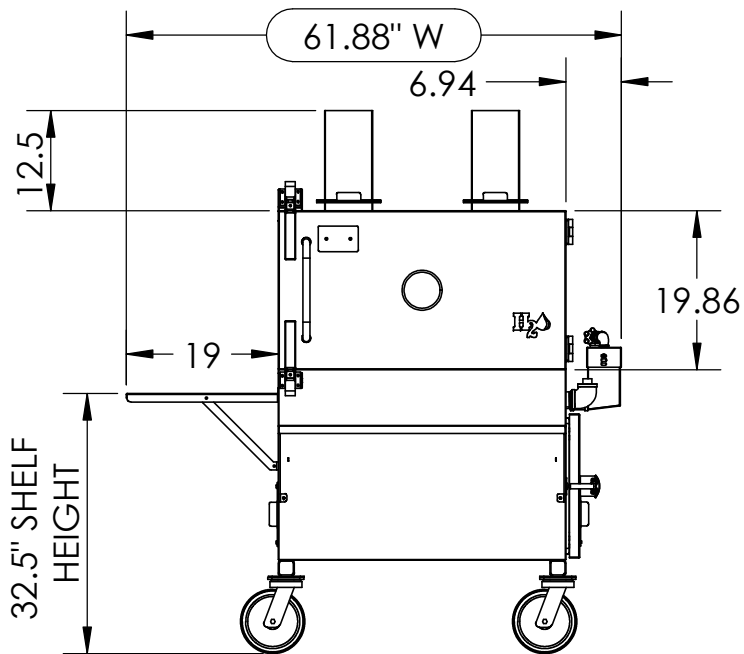
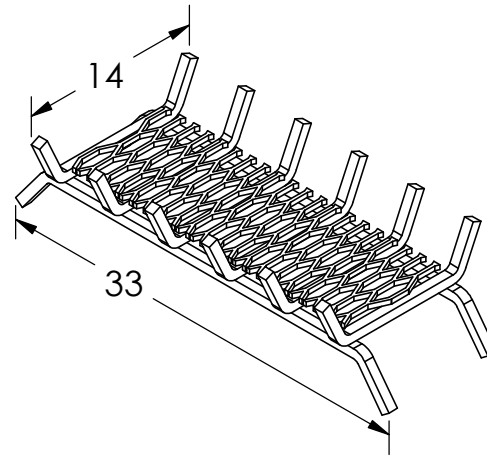
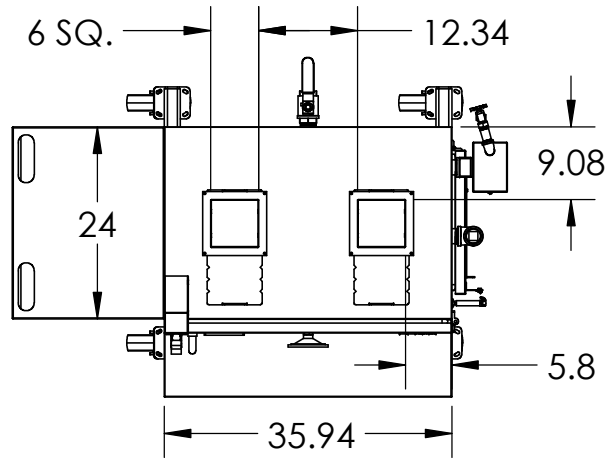
179 Cross Rd. Waterford, CT. 06385
 PHONE 1-855-HOG-RULES
 Monday thru Friday: 8am-5pm EST
<https://myronmixonsmokers.com>

MODEL **MMS-36**

DRAWN BY J. PFLOMM, M. WHITTLE

REV 05	DATE 6/12/2018	SHEET 1
--------	----------------	---------

MYRON MIXON - SMOKERS -



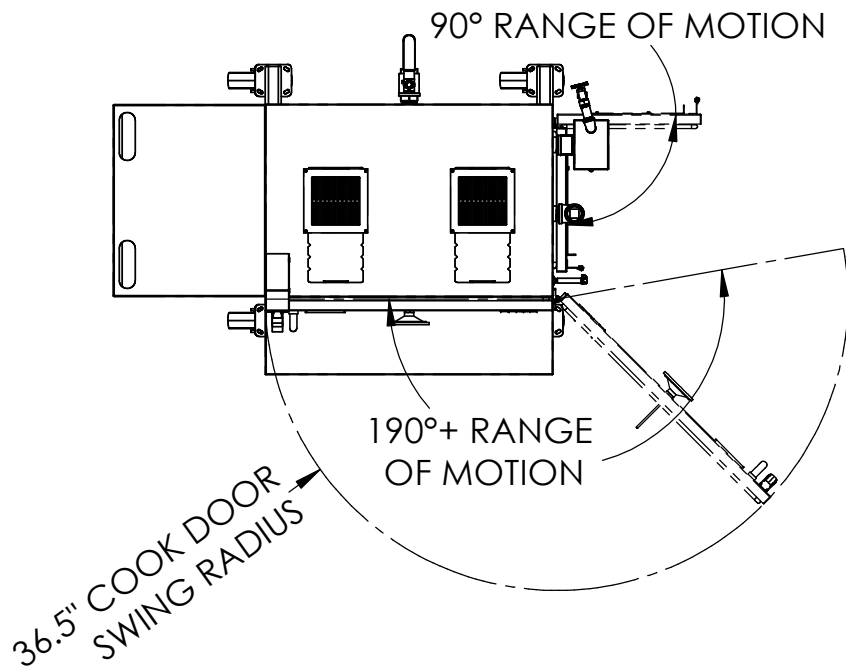
179 Cross Rd, Waterford, CT. 06385
 PHONE 1-855-HOG-RULES
 Monday thru Friday: 8am-5pm EST
<https://myronmixonsmokers.com>

MODEL **MMS-36**

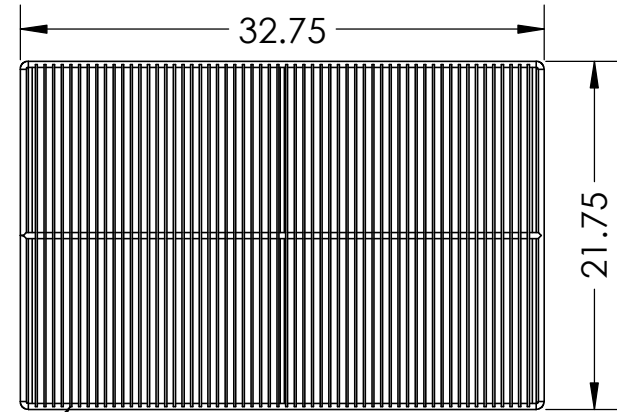
DRAWN BY J. PFLOMM, M. WHITTLE

REV 05 DATE 6/12/2018 SHEET 2

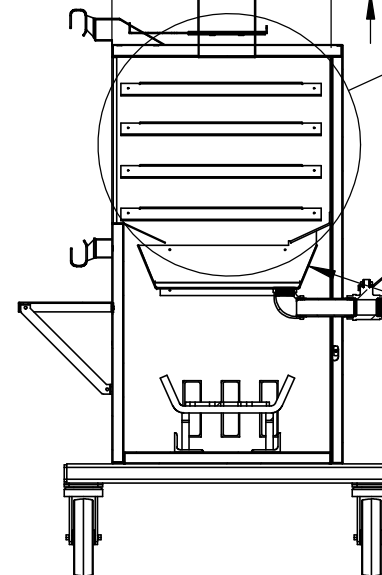
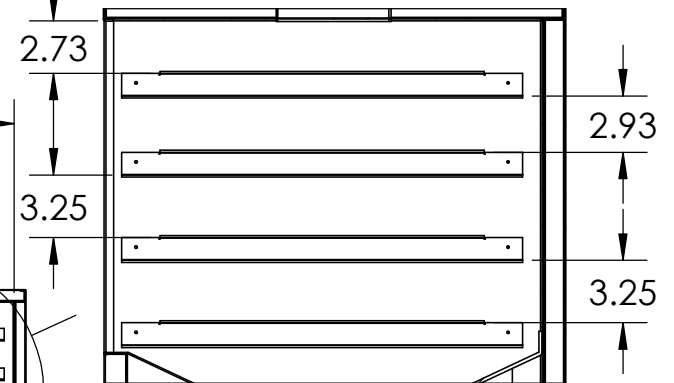
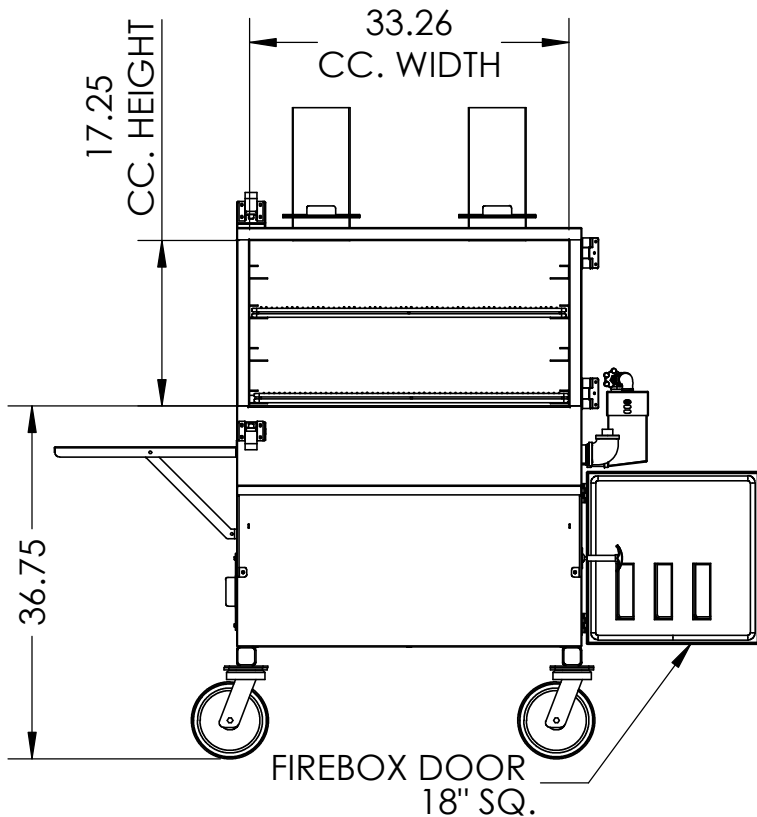
MYRON MIXON - SMOKERS -



RACK AREA:
712 IN² PER RACK
1425 IN² STOCK (2)
2849 IN² MAX (4)



22.83
CC. DEPTH



INTEGRATED WATER PAN
LOCATED BETWEEN THE
COOK CHAMBER & FIREBOX

179 Cross Rd. Waterford, CT. 06385
PHONE 1-855-HOG-RULES
Monday thru Friday: 8am-5pm EST
<https://myronmixonsmokers.com>

MODEL **MMS-36**

DRAWN BY J. PFLOMM, M. WHITTLE

REV 05 DATE 6/12/2018 SHEET 3