

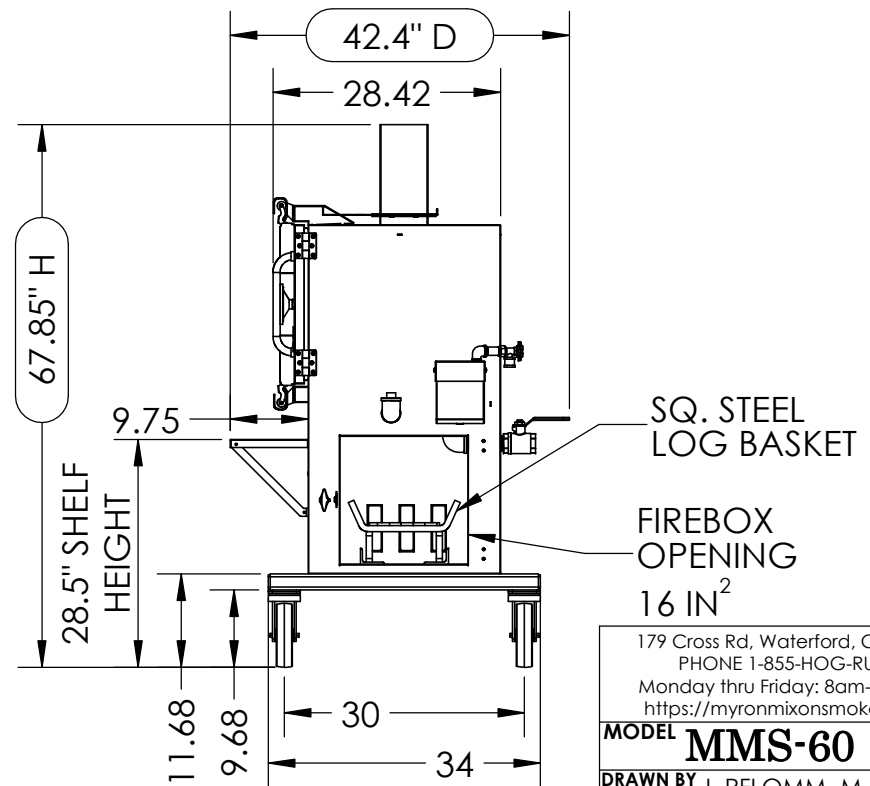
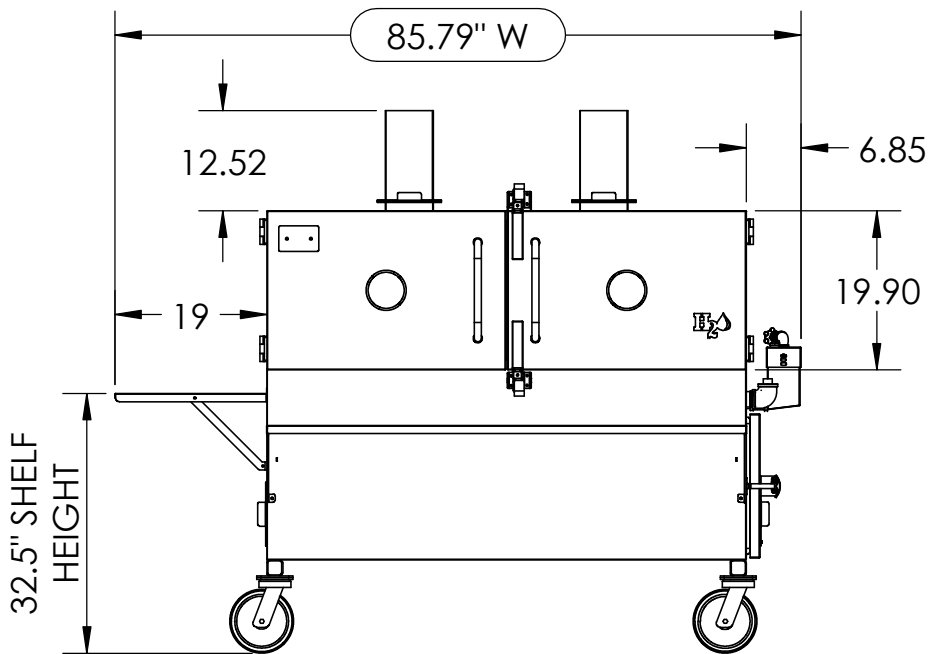
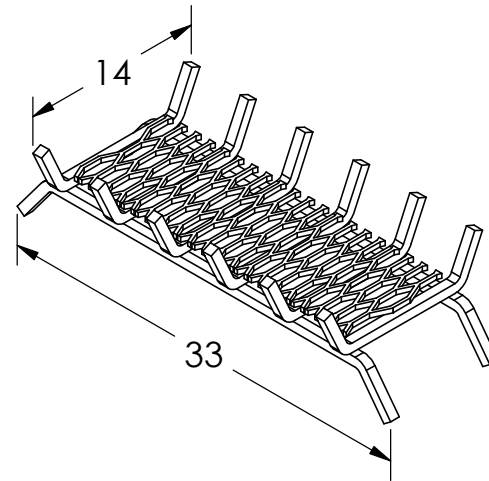
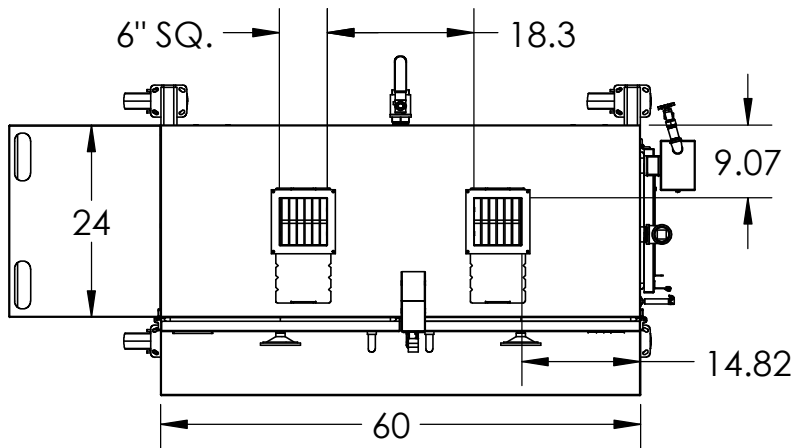
1. HANDCRAFTED IN THE USA
2. 100% INSULATED
3. 100% WELDED
4. HIGH-TEMPERATURE DURABLE POWDER COAT FINISH
5. OPTIMIZED SHAPE TO MAXIMIZE CAPACITY

179 Cross Rd. Waterford, CT. 06385  
 PHONE 1-855-HOG-RULES  
 Monday thru Friday: 8am-5pm EST  
<https://myronmixonsmokers.com>

**MODEL MMS-60**

**DRAWN BY** J. PFLOMM, M. WHITTLE

<b>REV</b> 03	<b>DATE</b> 6/12/2018	<b>SHEET</b> 1
---------------	-----------------------	----------------

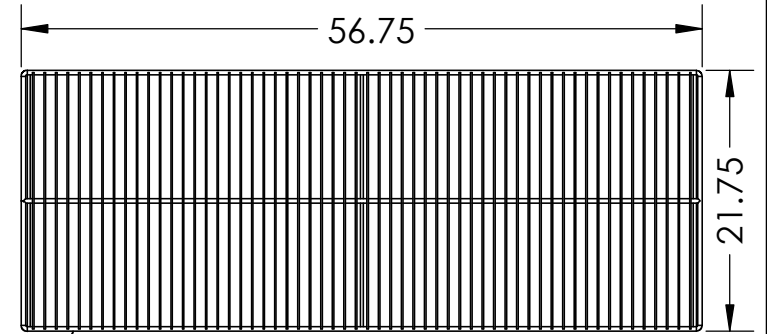
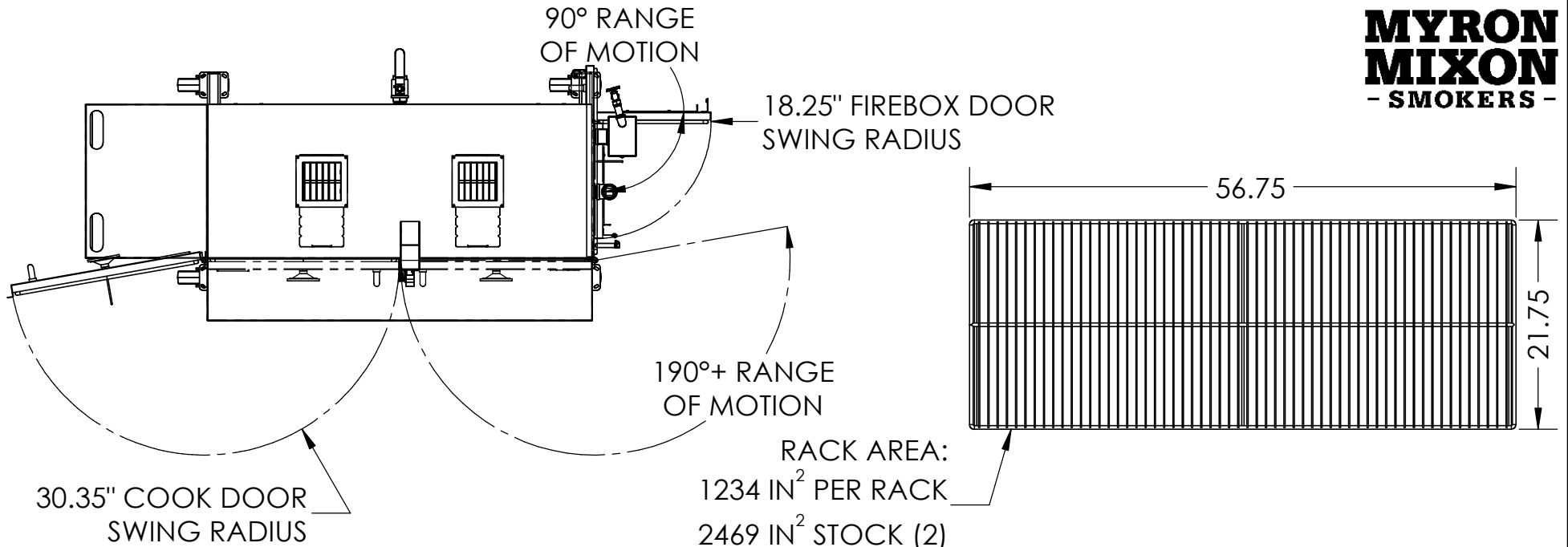


179 Cross Rd, Waterford, CT. 06385  
 PHONE 1-855-HOG-RULES  
 Monday thru Friday: 8am-5pm EST  
<https://myronmixonsmokers.com>

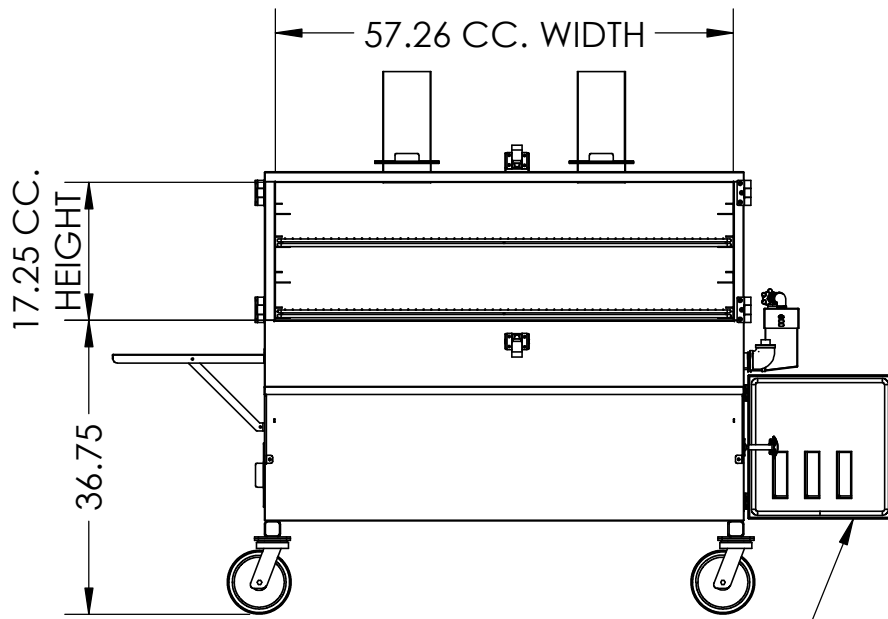
MODEL **MMS-60**

DRAWN BY J. PFLOMM, M. WHITTLE

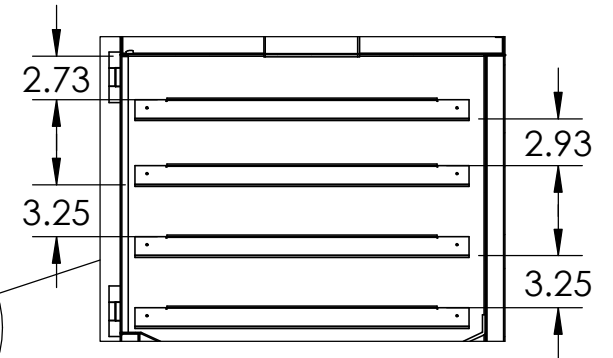
REV 03 DATE 6/12/2018 SHEET 2



RACK AREA:  
1234 IN<sup>2</sup> PER RACK  
2469 IN<sup>2</sup> STOCK (2)  
4937 IN<sup>2</sup> MAX (4)



22.83  
CC. DEPTH



INTEGRATED WATER PAN  
LOCATED BETWEEN THE  
COOK CHAMBER & FIREBOX

FIREBOX DOOR  
18" SQ.

179 Cross Rd. Waterford, CT. 06385  
PHONE 1-855-HOG-RULES  
Monday thru Friday: 8am-5pm EST  
<https://myronmixonsmokers.com>

MODEL **MMS-60**

DRAWN BY J. PFLOMM, M. WHITTLE

REV 03 DATE 6/12/2018 SHEET 3