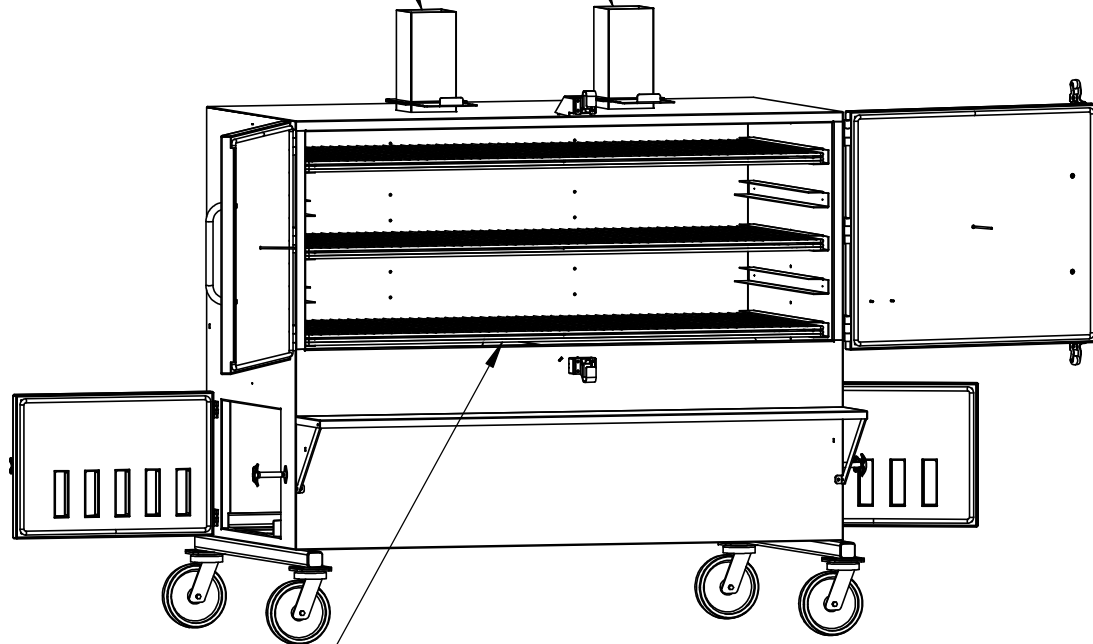


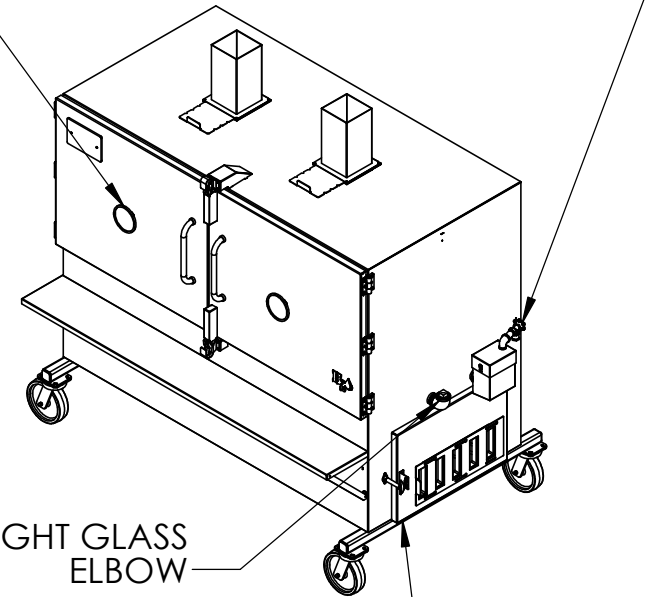
# MYRON MIXON - SMOKERS -

DUAL STACKS WITH  
STAINLESS STEEL  
SLIDING DAMPERS



INTERNAL  
THERMOMETER

AUTOMATED WATER  
FILL SYSTEM

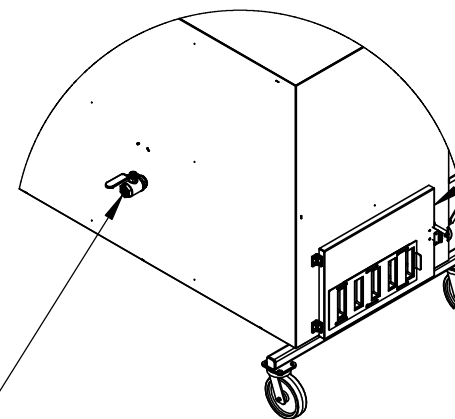


3 NICKEL CHROME COOK RACKS  
INCLUDED, EXPANDABLE TO 5 RACKS

SIGHT GLASS  
ELBOW

REAR VIEW

DUAL FIREBOX  
DOORS WITH  
STAINLESS STEEL  
SLIDE DAMPERS



1 1/2" BRASS DRAIN VALVE

1. HANDCRAFTED IN THE USA
2. 100% INSULATED
3. 100% WELDED
4. HIGH-TEMPERATURE DURABLE POWDER COAT FINISH
5. OPTIMIZED SHAPE TO MAXIMIZE CAPACITY

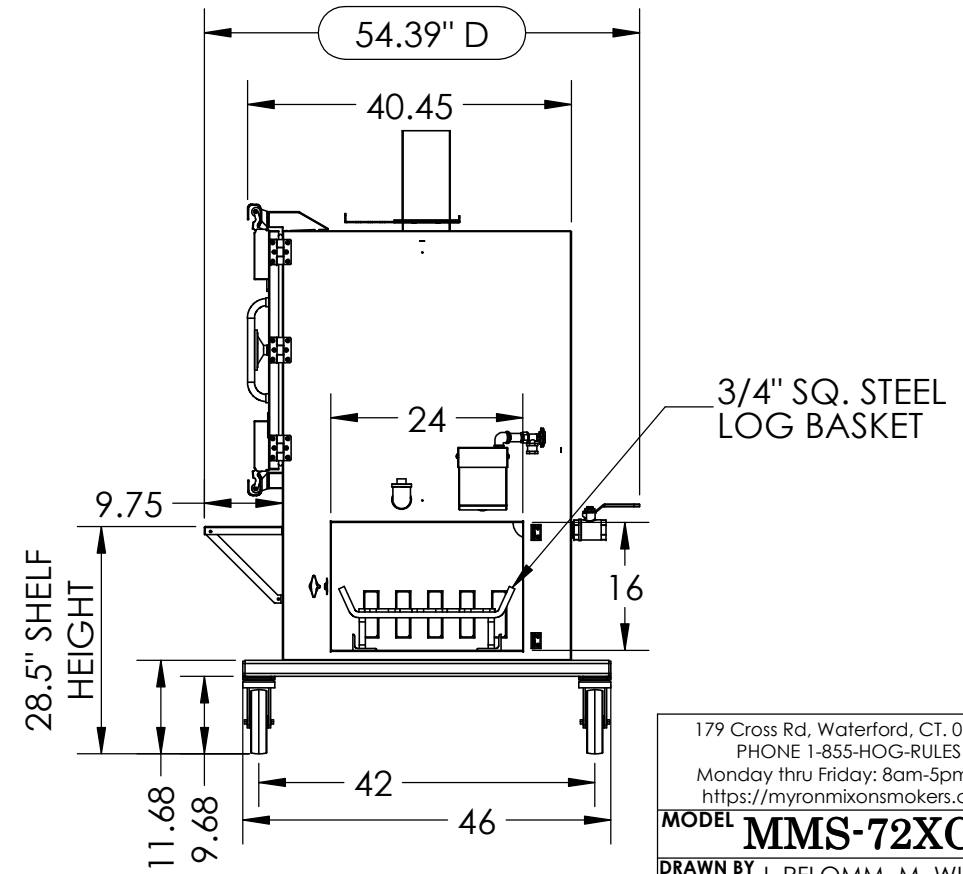
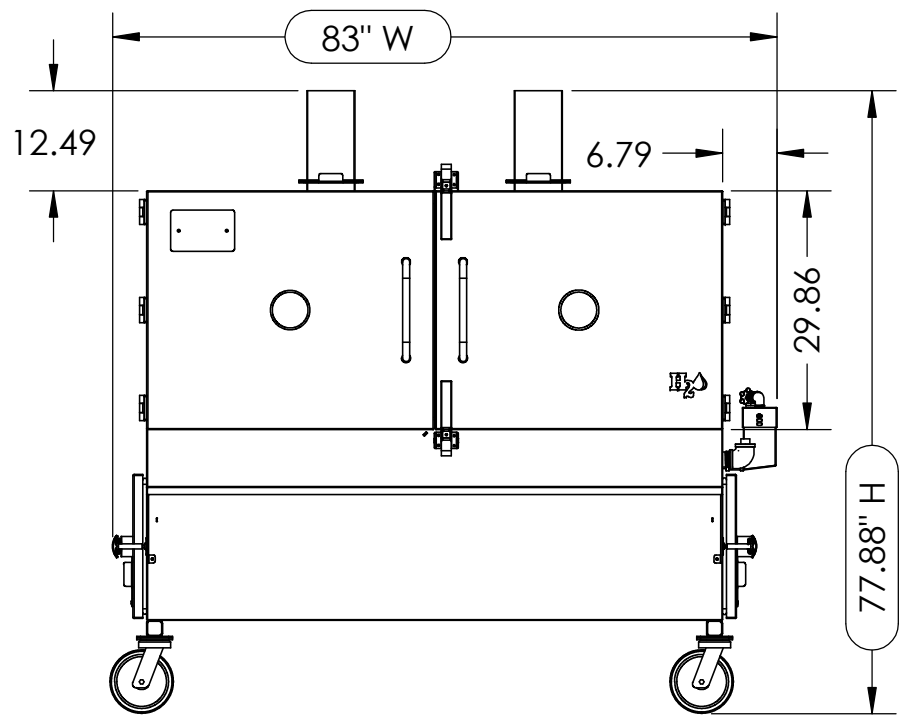
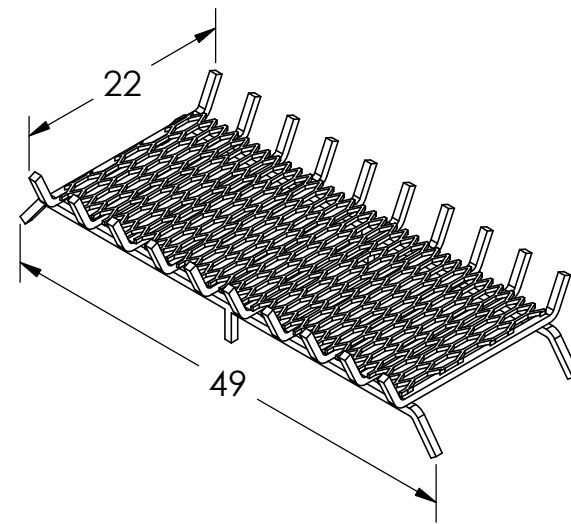
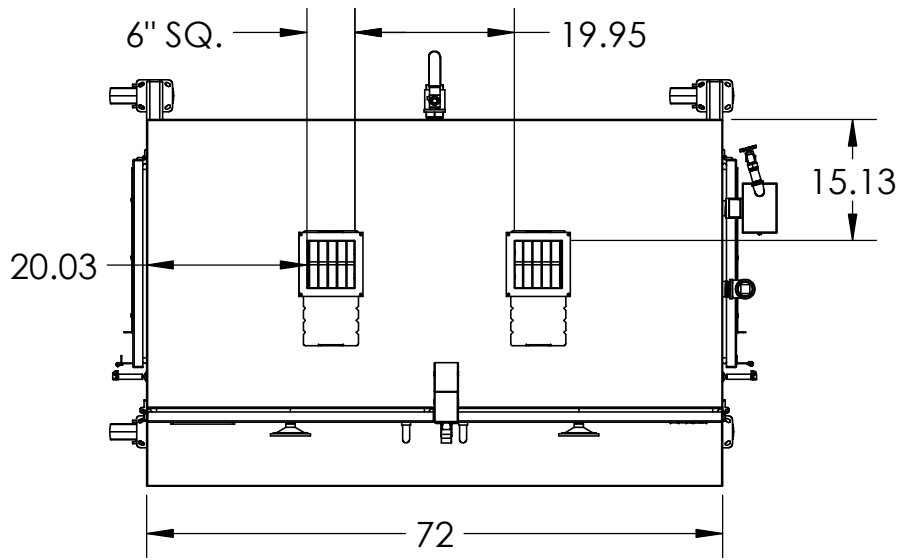
179 Cross Rd. Waterford, CT. 06385  
PHONE 1-855-HOG-RULES  
Monday thru Friday: 8am-5pm EST  
<https://myronmixonsmokers.com>

MODEL **MMS-72XC**

DRAWN BY J. PFLOMM, M. WHITTLE

REV 03 DATE 6/14/2018 SHEET 1

# MYRON MIXON - SMOKERS -



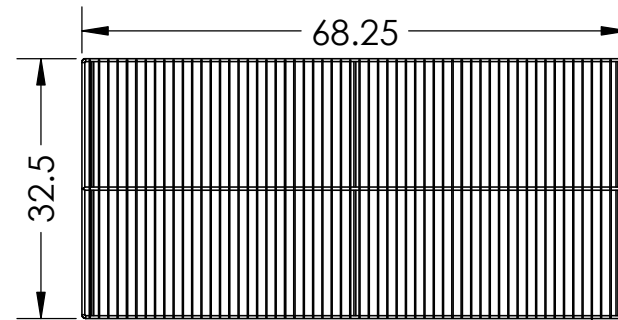
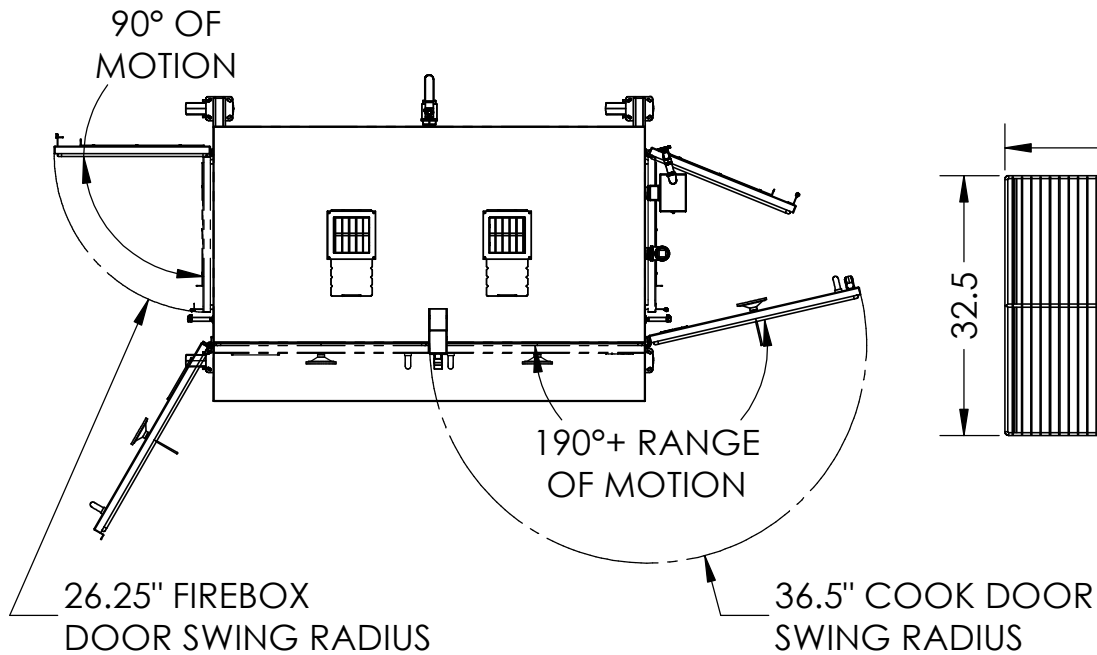
179 Cross Rd. Waterford, CT. 06385  
 PHONE 1-855-HOG-RULES  
 Monday thru Friday: 8am-5pm EST  
<https://myronmixonsmokers.com>

**MODEL MMS-72XC**

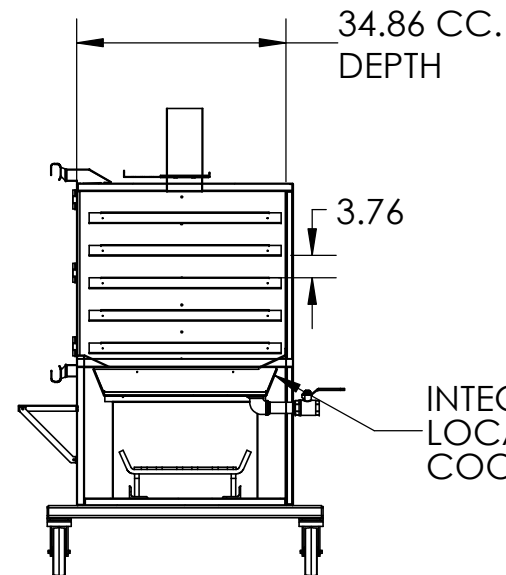
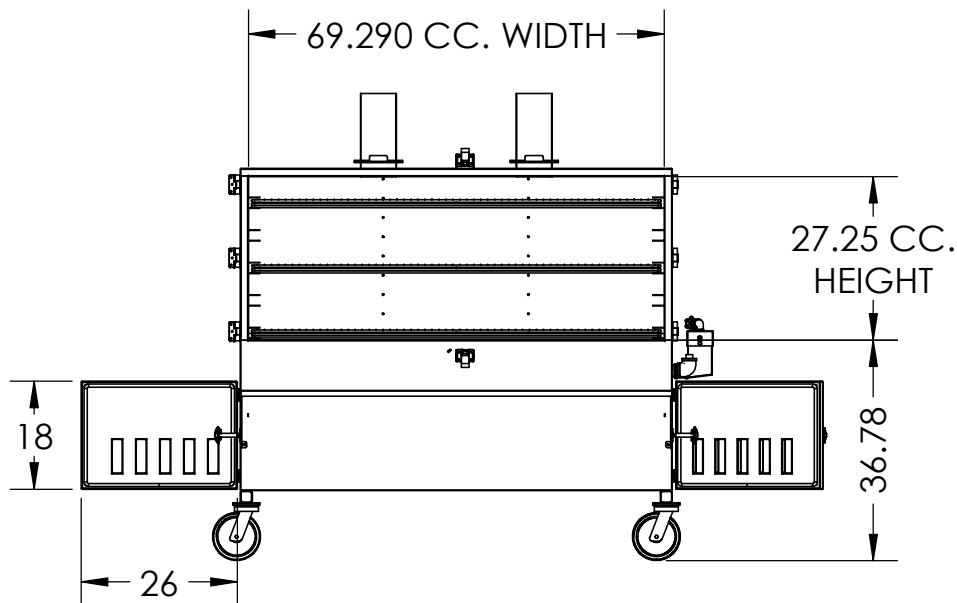
DRAWN BY J. PFLOMM, M. WHITTLE

REV 03	DATE 6/14/2018	SHEET 2
--------	----------------	---------

# MYRON MIXON - SMOKERS -



RACK AREA:  
2218 IN<sup>2</sup> PER RACK  
6654 IN<sup>2</sup> STOCK (3)  
11091 IN<sup>2</sup> MAX (5)



INTEGRATED WATER PAN  
LOCATED BETWEEN THE  
COOK CHAMBER & FIREBOX

179 Cross Rd. Waterford, CT. 06385  
PHONE 1-855-HOG-RULES  
Monday thru Friday: 8am-5pm EST  
<https://myronmixonsmokers.com>

MODEL **MMS-72XC**

DRAWN BY J. PFLOMM, M. WHITTLE

REV 03 DATE 6/14/2018 SHEET 3