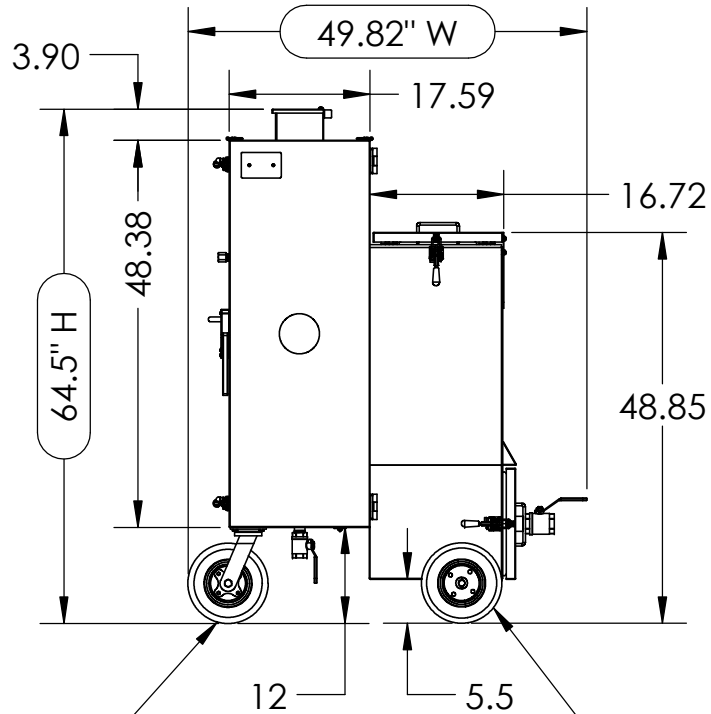
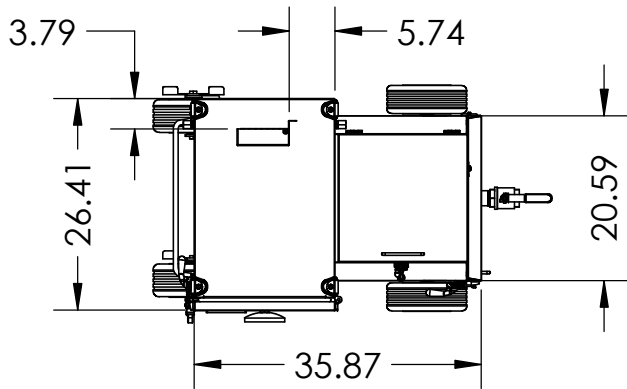


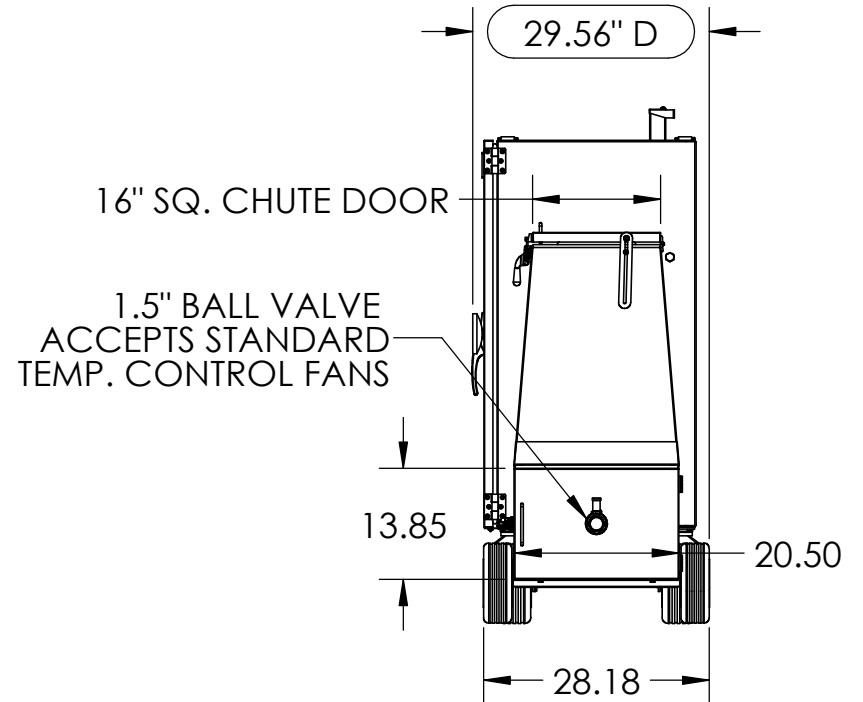
1. HANDCRAFTED IN THE USA
2. 100% INSULATED
3. 100% WELDED
4. HIGH-TEMPERATURE DURABLE POWDER COAT FINISH
5. OPTIMIZED SHAPE TO MAXIMIZE CAPACITY

179 Cross Rd. Waterford, CT. 06385		
PHONE 1-855-HOG-RULES		
Monday thru Friday: 8am-5pm EST		
https://myronmixonsmokers.com		
MODEL	G20	
DRAWN BY	J. PFLOMM, M. WHITTLE	
REV	DATE	SHEET
00	6/20/2018	1



10" HEAVY DUTY NO-FLAT
LOCKING SWIVEL TIRES

10" HEAVY DUTY NO-FLAT TIRES

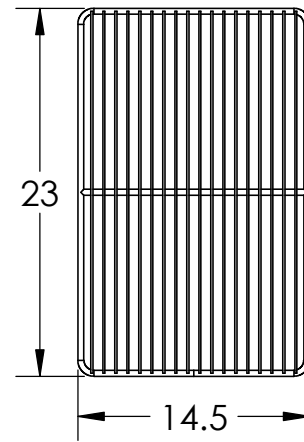
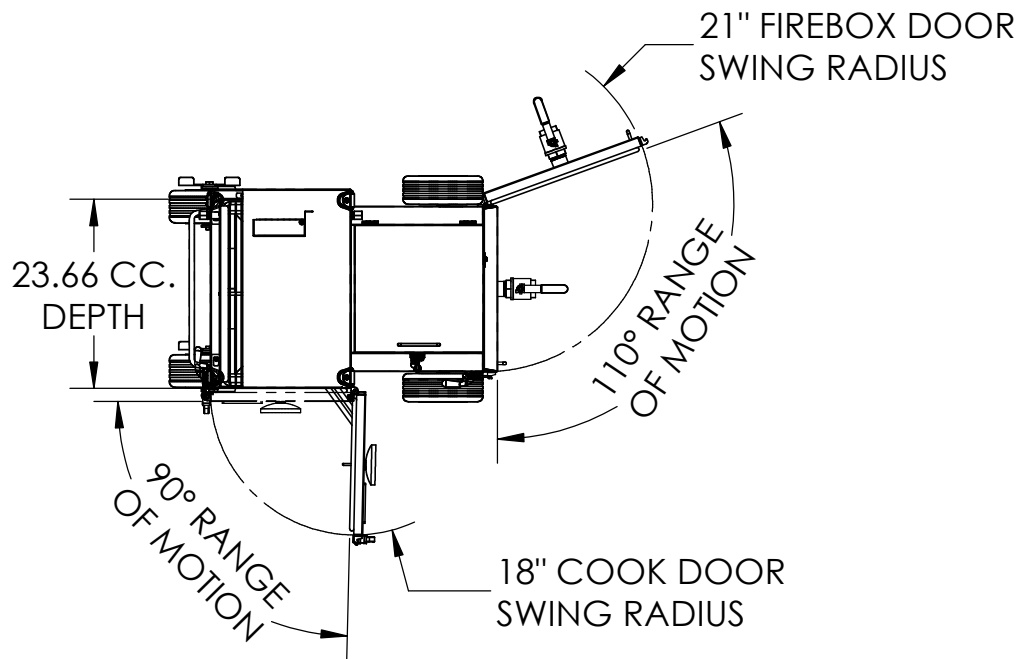


179 Cross Rd, Waterford, CT, 06385
PHONE 1-855-HOG-RULES
Monday thru Friday: 8am-5pm EST
<https://myronmixonsmokers.com>

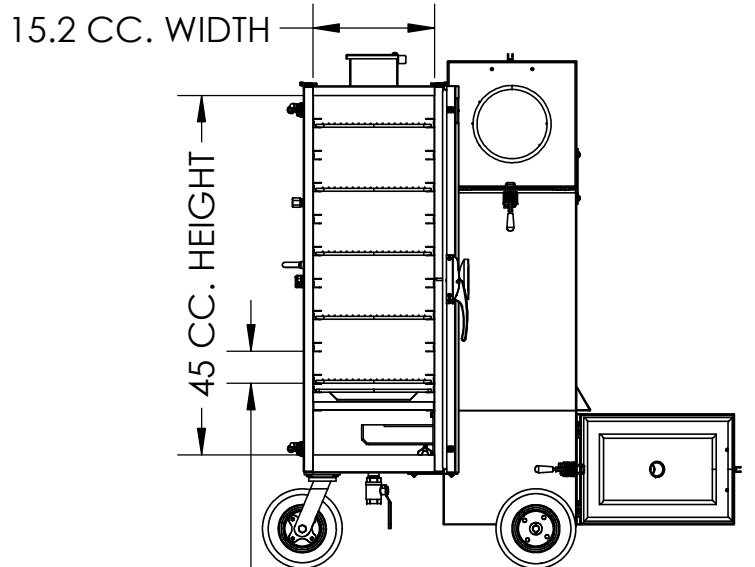
MODEL **G20**

DRAWN BY J. PFLOMM, M. WHITTLE

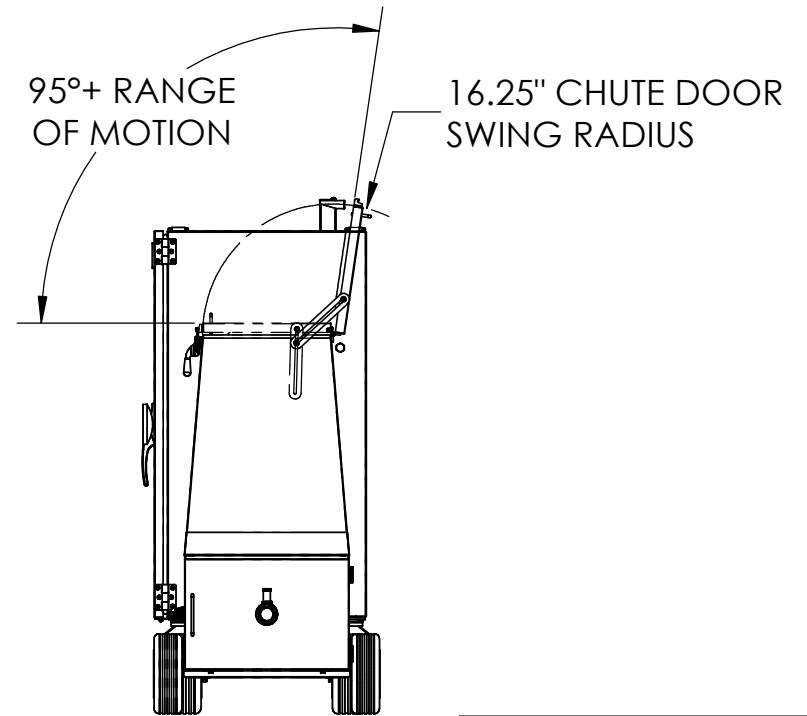
REV	DATE	SHEET
00	6/20/2018	2



RACK AREA:
334 IN² PER RACK
1668 IN² STOCK (5)
3002 IN² MAX (9)



9 RACK POSITIONS,
SPACED 4" ON-CENTER
OPTIMAL FOR MAX. VOLUME



179 Cross Rd. Waterford, CT. 06385
PHONE 1-855-HOG-RULES
Monday thru Friday: 8am-5pm EST
<https://myronmixonsmokers.com>

MODEL **G20**

DRAWN BY J. PFLOMM, M. WHITTLE

REV 00	DATE 6/20/2018	SHEET 3
--------	----------------	---------