

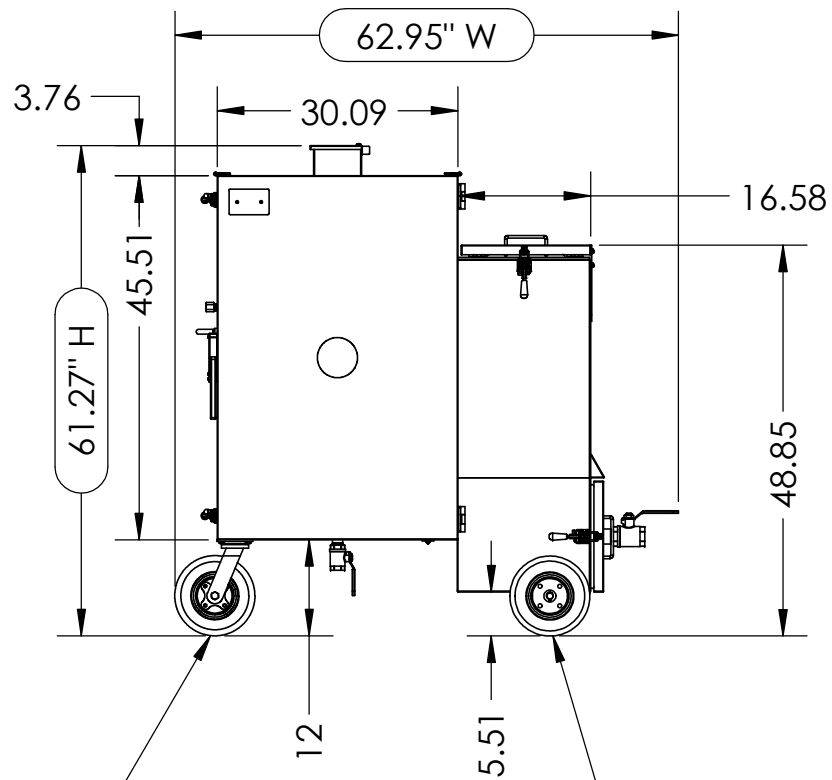
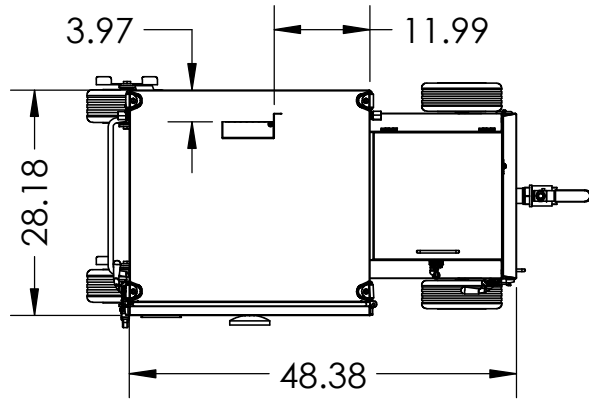
1. HANDCRAFTED IN THE USA
2. 100% INSULATED
3. 100% WELDED
4. HIGH-TEMPERATURE DURABLE POWDER COAT FINISH
5. OPTIMIZED SHAPE TO MAXIMIZE CAPACITY

179 Cross Rd. Waterford, CT. 06385
 PHONE 1-855-HOG-RULES
 Monday thru Friday: 8am-5pm EST
<https://myronmixonsmokers.com>

MODEL **G33**

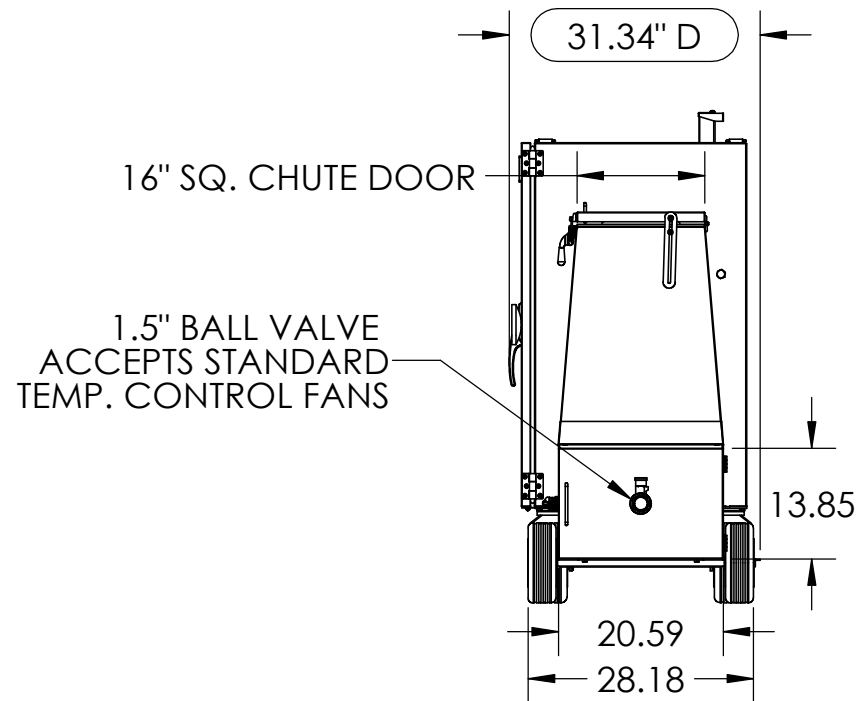
DRAWN BY J. PFLOMM, M. WHITTLE

REV 04	DATE 6/21/2018	SHEET 1
--------	----------------	---------



10" HEAVY DUTY NO-FLAT
LOCKING SWIVEL TIRES

10" HEAVY DUTY
NO-FLAT TIRES

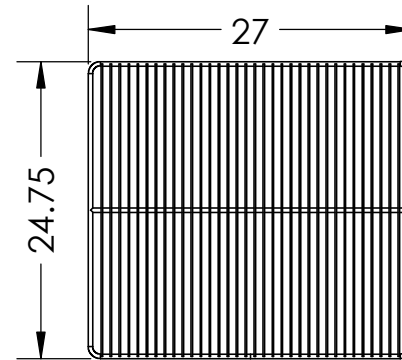
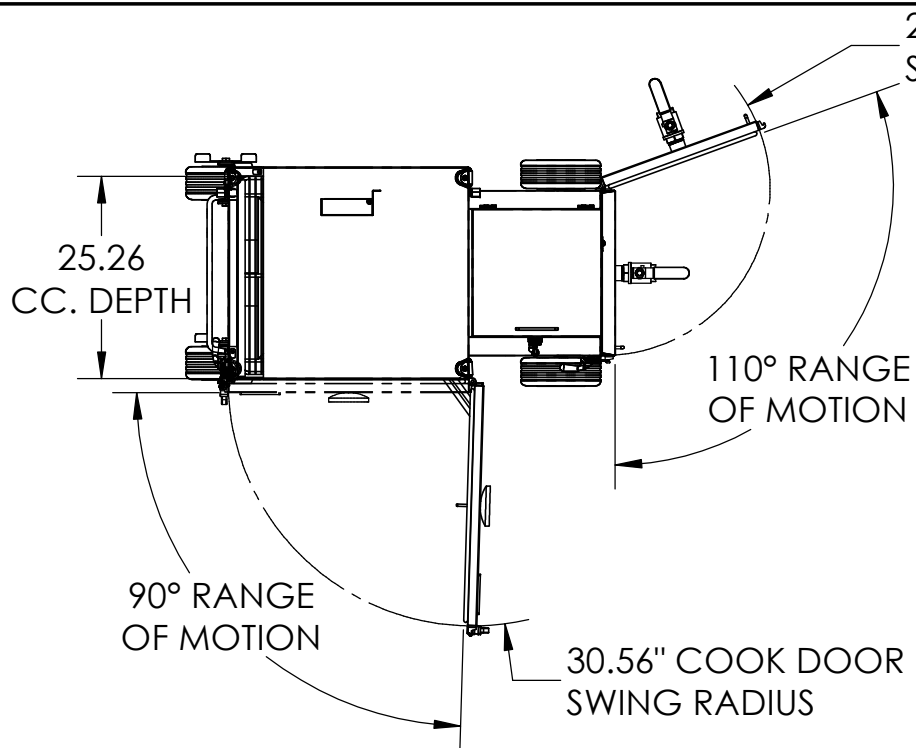


179 Cross Rd. Waterford, CT. 06385
PHONE 1-855-HOG-RULES
Monday thru Friday: 8am-5pm EST
<https://myronmixonsmokers.com>

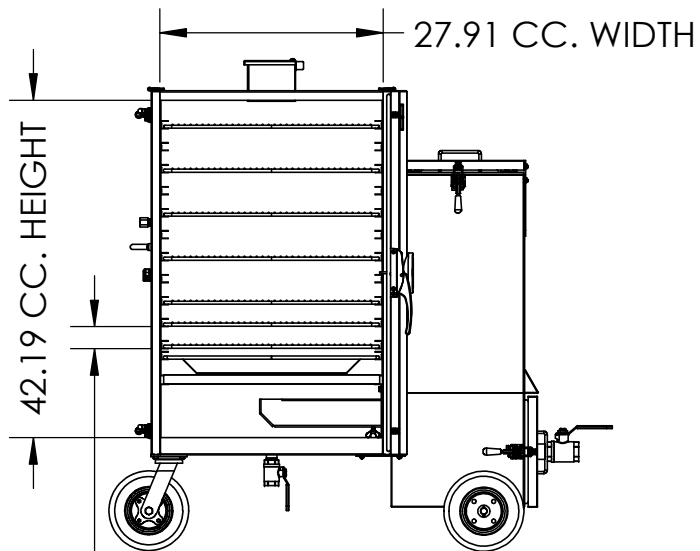
MODEL **G33**

DRAWN BY J. PFLOMM, M. WHITTLE

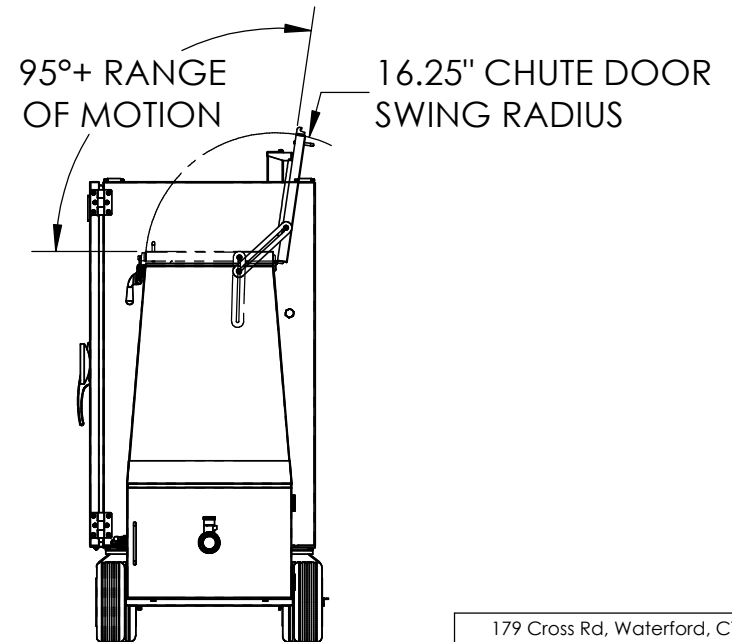
REV 04 DATE 6/21/2018 SHEET 2



RACK AREA:
668 IN² PER RACK
4678 IN² STOCK (7)
7351 IN² MAX (11)



11 RACK POSITIONS,
SPACED 2.75" ON-CENTER
OPTIMAL FOR MAX. VOLUME



179 Cross Rd. Waterford, CT. 06385
PHONE 1-855-HOG-RULES
Monday thru Friday: 8am-5pm EST
<https://myronmixonsmokers.com>

MODEL G33		
DRAWN BY J. PFLOMM, M. WHITTLE		
REV 04	DATE 6/21/2018	SHEET 3