

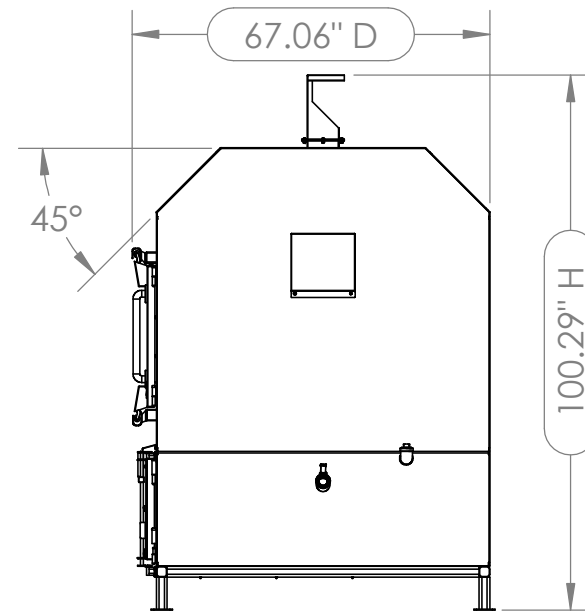
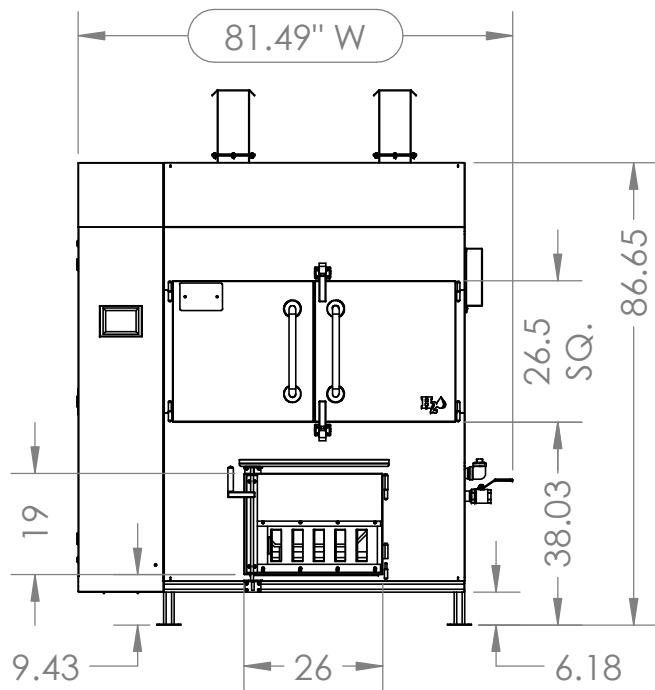
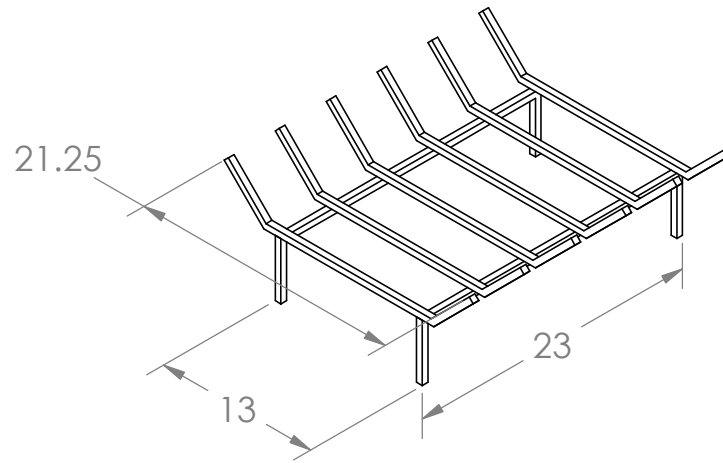
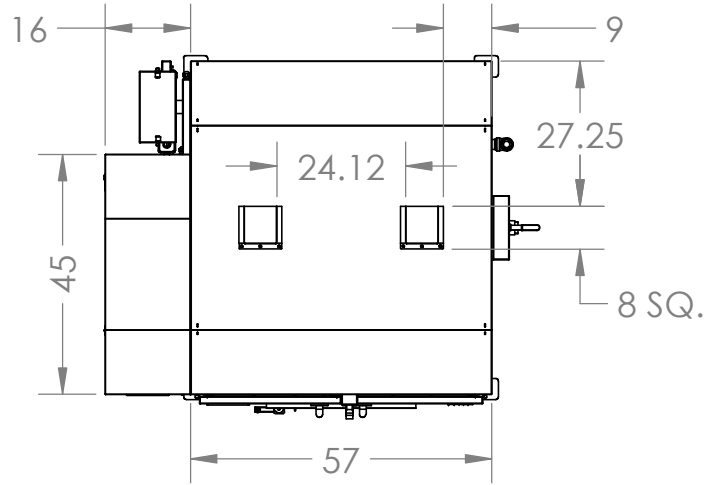
1. HANDCRAFTED IN THE USA
2. 100% INSULATED
3. 100% WELDED
4. HIGH-TEMPERATURE DURABLE POWDER COAT FINISH
5. OPTIMIZED SHAPE TO MAXIMIZE CAPACITY

179 Cross Rd, Waterford, CT. 06385
 PHONE 1-855-HOG-RULES
 Monday thru Friday: 8am-5pm EST
<https://myronmixonsmokers.com>

MODEL MMS-750C

DRAWN BY J. PFLOMM, M. WHITTLE

REV 00	DATE 6/26/2018	SHEET 1
--------	----------------	---------

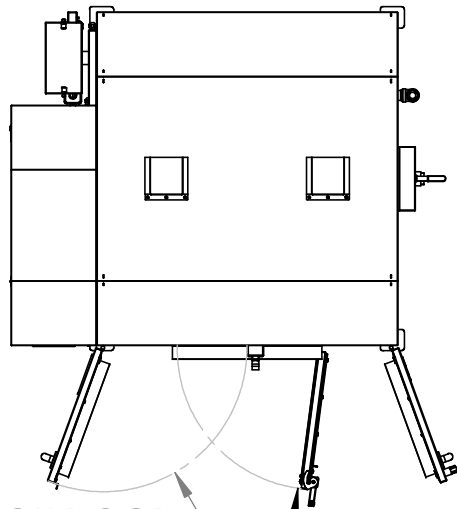


179 Cross Rd, Waterford, CT. 06385
 PHONE 1-855-HOG-RULES
 Monday thru Friday: 8am-5pm EST
<https://myronmixonsmokers.com>

MODEL MMS-750C

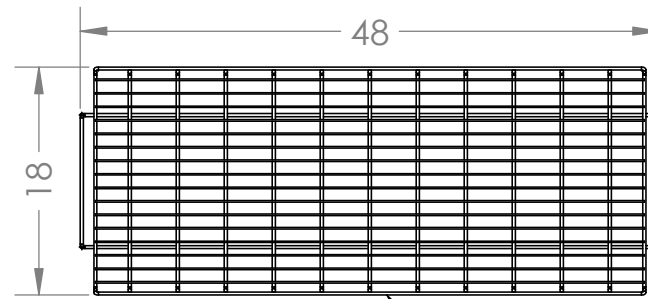
DRAWN BY J. PFLOMM, M. WHITTLE

REV 00 **DATE** 6/26/2018 **SHEET** 2

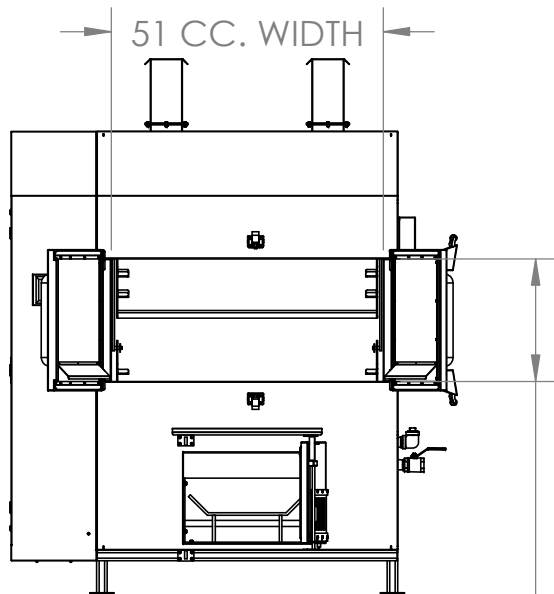


27" COOK DOOR
SWING RADIUS, 110°
RANGE OF MOTION

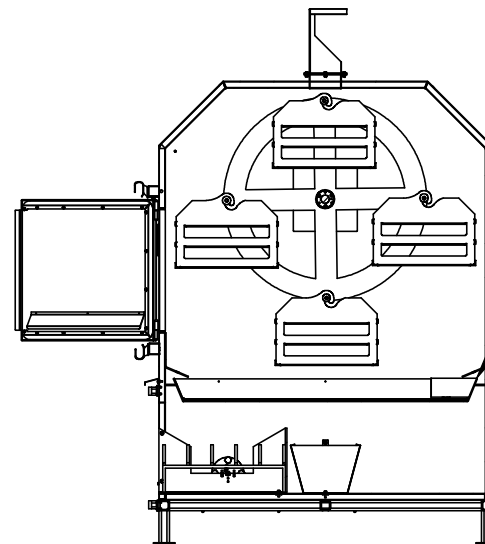
26" FIREBOX DOOR
SWING RADIUS, 110°
RANGE OF MOTION



RACK AREA:
864 IN² PER RACK
2592 IN² PER HANGER (3)
10368 IN² MAX (12)



23 CC. OPENING HEIGHT



INTEGRATED WATER PAN
LOCATED BETWEEN THE
COOK CHAMBER & FIREBOX

179 Cross Rd. Waterford, CT. 06385
PHONE 1-855-HOG-RULES
Monday thru Friday: 8am-5pm EST
<https://myronmixonsmokers.com>

MODEL **MMS-750C**

DRAWN BY J. PFLOMM, M. WHITTLE

REV 00 DATE 6/26/2018 SHEET 3