

DUAL STACKS

INCLUDES 1 FULL-DEPTH NICKLE CHROME RACK AND 4 HALF-DEPTH NICKLE CHROME RACKS, WITH 5 RACK SLOTS TOTAL

INTERNAL THERMOMETER

UL APPROVED DOOR GASKET

STAINLESS STEEL INTERIOR

SIGHT GLASS ELBOW

AUTOMATED WATER FILL SYSTEM

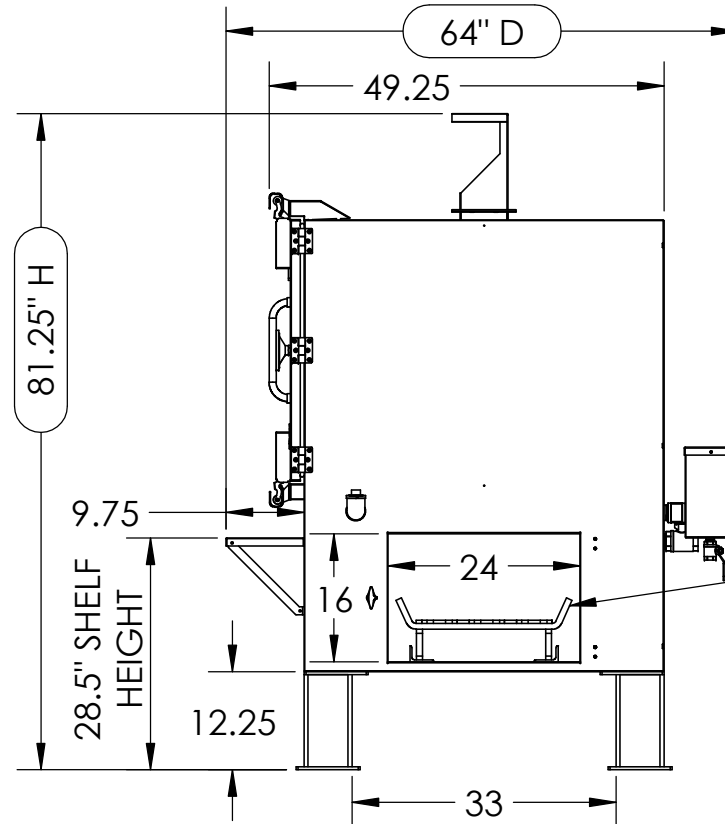
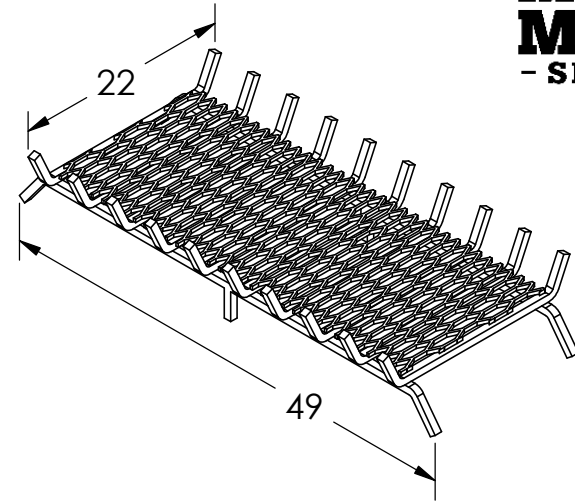
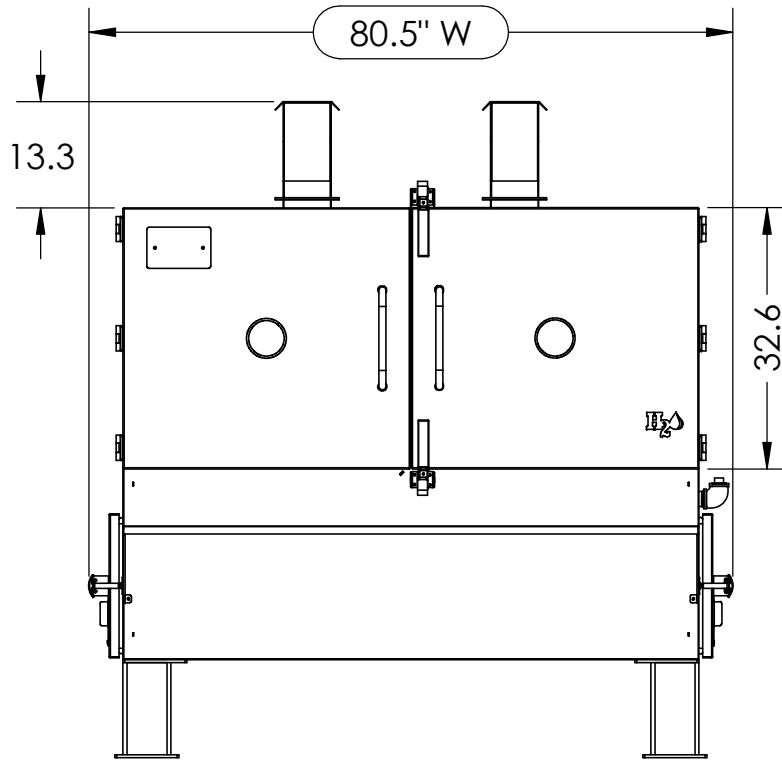
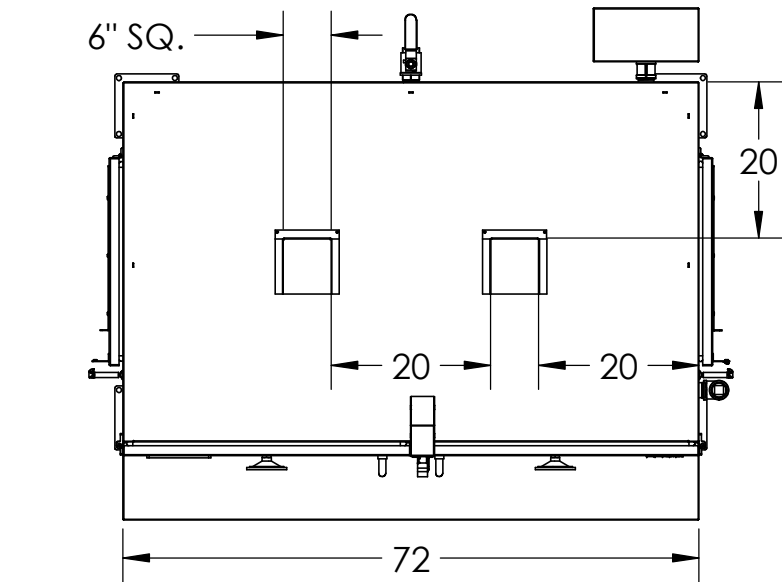
DUAL FIREBOX DOORS WITH STAINLESS STEEL SLIDING DAMPERS

1 1/2" BRASS DRAIN VALVE

REAR VIEW

1. HANDCRAFTED IN THE USA
2. 100% INSULATED
3. 100% WELDED
4. HIGH-TEMPERATURE DURABLE POWDER COAT FINISH
5. OPTIMIZED SHAPE TO MAXIMIZE CAPACITY

179 Cross Rd, Waterford, CT. 06385		
PHONE 1-855-HOG-RULES		
Monday thru Friday: 8am-5pm EST		
https://myronmixonsmokers.com		
MODEL	MMS-1KC	
DRAWN BY	J. PFLOMM, M. WHITTLE	
REV	DATE	SHEET
02	6/13/2018	1



3/4" SQ. STEEL
LOG BASKET

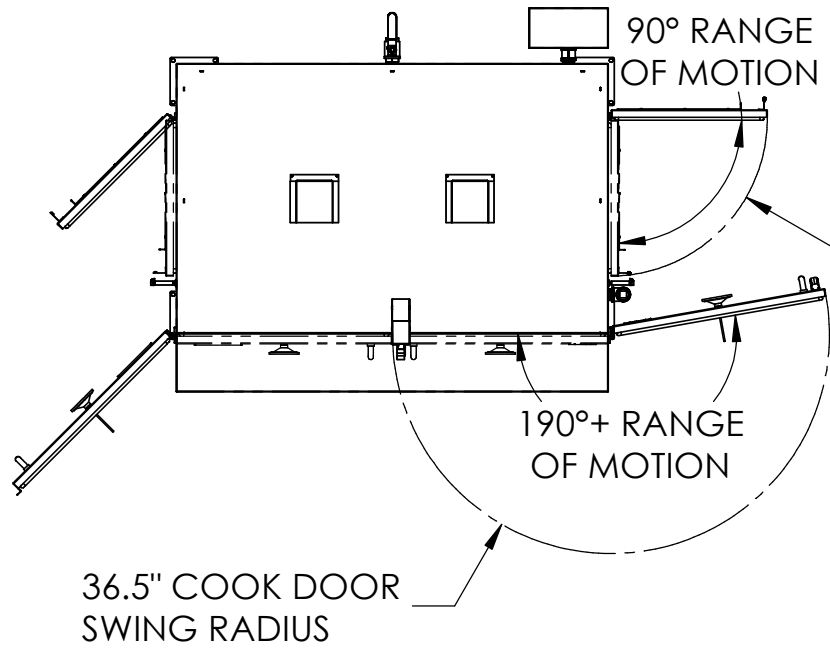
179 Cross Rd, Waterford, CT. 06385
PHONE 1-855-HOG-RULES
Monday thru Friday: 8am-5pm EST
<https://myronmixonsmokers.com>

MODEL **MMS-1KC**

DRAWN BY J. PFLOMM, M. WHITTLE

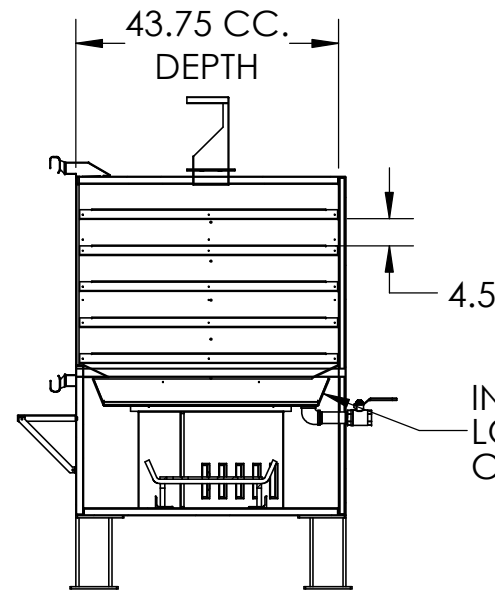
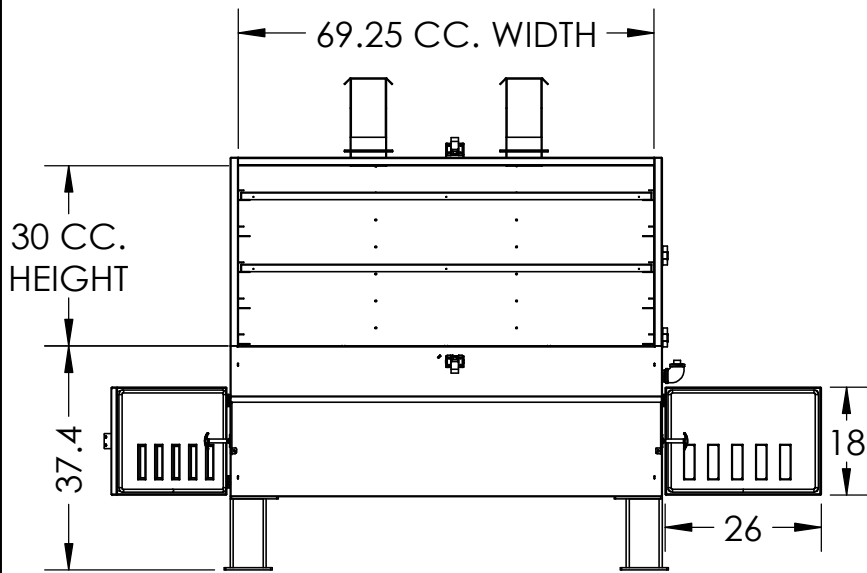
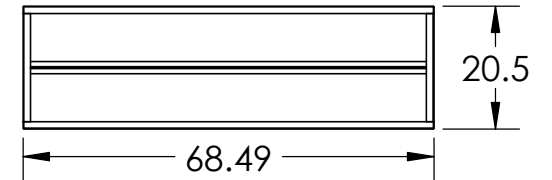
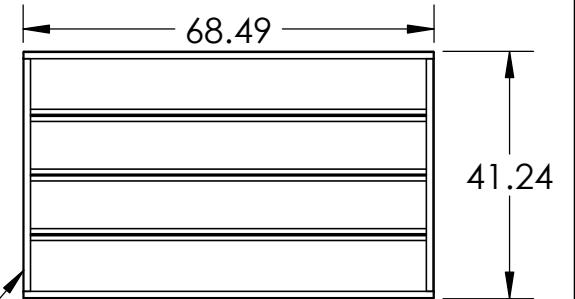
REV 02 DATE 6/13/2018 SHEET 2

MYRON MIXON - SMOKERS -



26.25" FIREBOX DOOR SWING RADIUS

RACK AREA:
1404 IN² PER HALF
2825 IN² PER RACK
8441 IN² STOCK
14123 IN² MAX



INTEGRATED WATER PAN LOCATED BETWEEN THE COOK CHAMBER & FIREBOX

179 Cross Rd. Waterford, CT. 06385
PHONE 1-855-HOG-RULES
Monday thru Friday: 8am-5pm EST
<https://myronmixonsmokers.com>

MODEL **MMS-1KC**

DRAWN BY J. PFLOMM, M. WHITTLE

REV 02	DATE 6/13/2018	SHEET 3
--------	----------------	---------