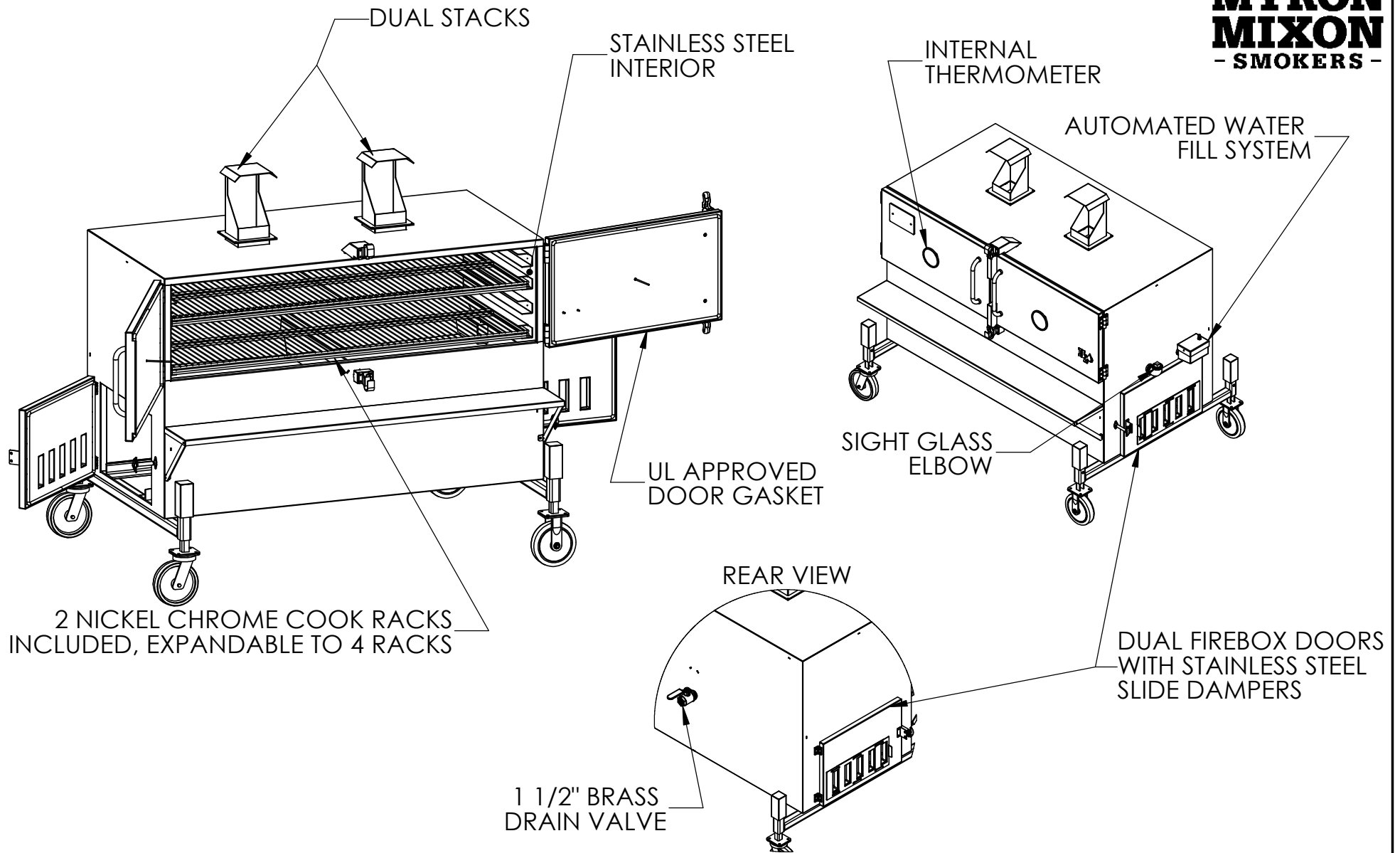


MYRON MIXON - SMOKERS -



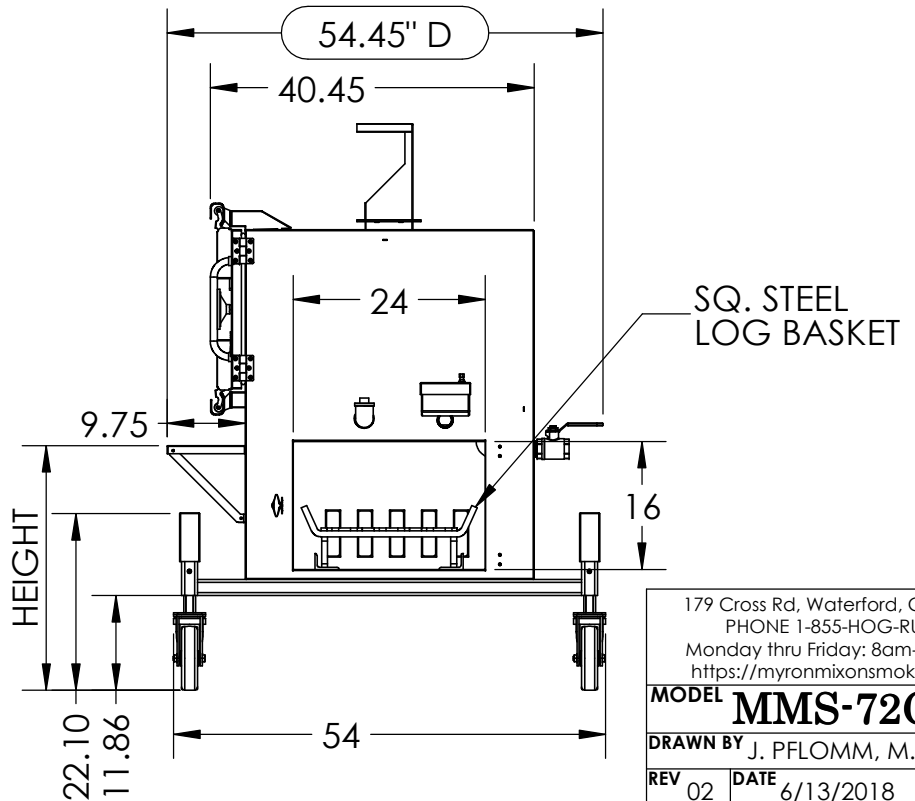
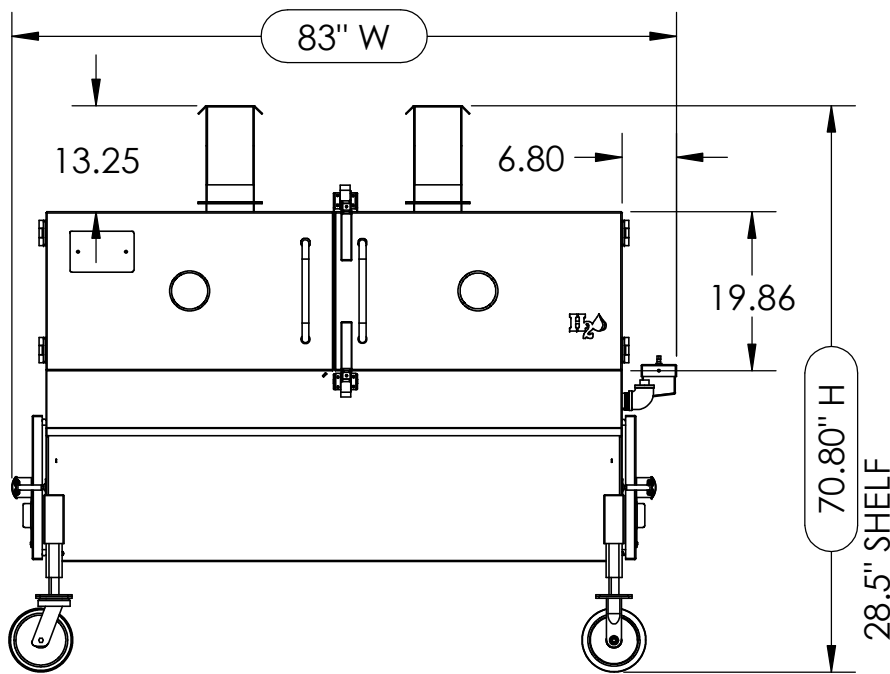
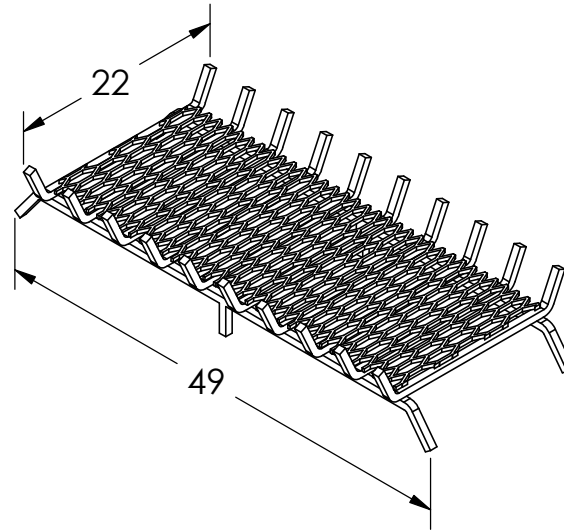
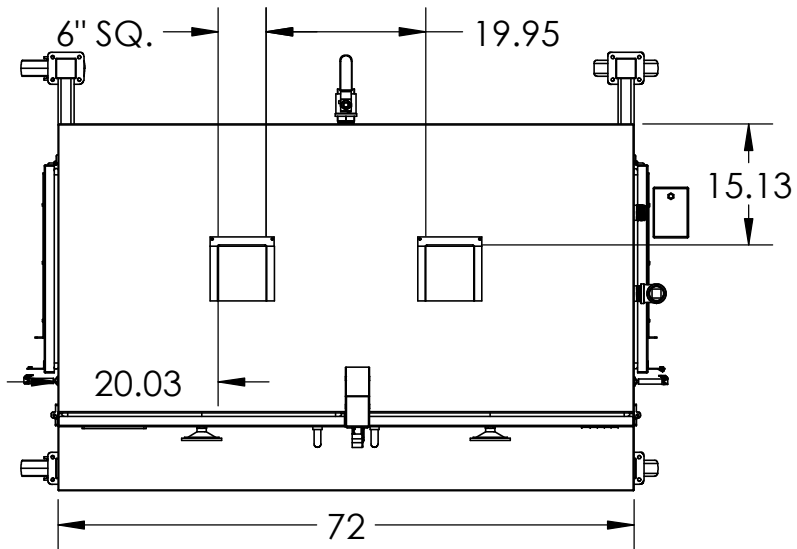
1. HANDCRAFTED IN THE USA
2. 100% INSULATED
3. 100% WELDED
4. HIGH-TEMPERATURE DURABLE POWDER COAT FINISH
5. OPTIMIZED SHAPE TO MAXIMIZE CAPACITY

179 Cross Rd. Waterford, CT. 06385
 PHONE 1-855-HOG-RULES
 Monday thru Friday: 8am-5pm EST
<https://myronmixonsmokers.com>

MODEL **MMS-72C**

DRAWN BY J. PFLOMM, M. WHITTLE

REV 02	DATE 6/13/2018	SHEET 1
--------	----------------	---------



179 Cross Rd. Waterford, CT. 06385
PHONE 1-855-HOG-RULES
Monday thru Friday: 8am-5pm EST
<https://myronmixonsmokers.com>

MODEL **MMS-72C**

DRAWN BY J. PFLOMM, M. WHITTLE

REV 02	DATE 6/13/2018	SHEET 2
--------	----------------	---------

MYRON MIXON - SMOKERS -

90° RANGE
OF MOTION

190°+ RANGE
OF MOTION

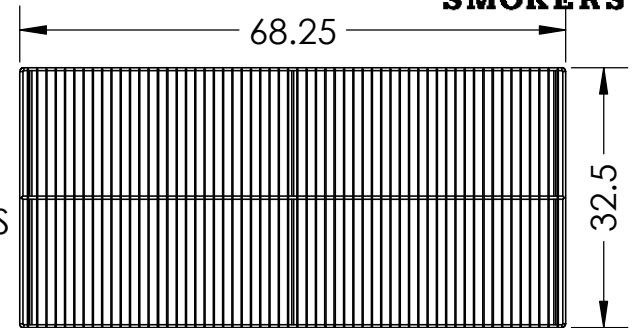
26.25" FIREBOX
DOOR SWING RADIUS

RACK AREA:
2218 IN² PER RACK
4436 IN² STOCK (2)
8872 IN² MAX (4)

36.5" COOK DOOR
SWING RADIUS

68.25

32.5

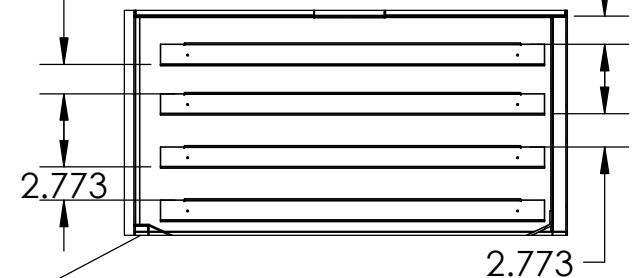


2.45

2.345

2.773

2.773



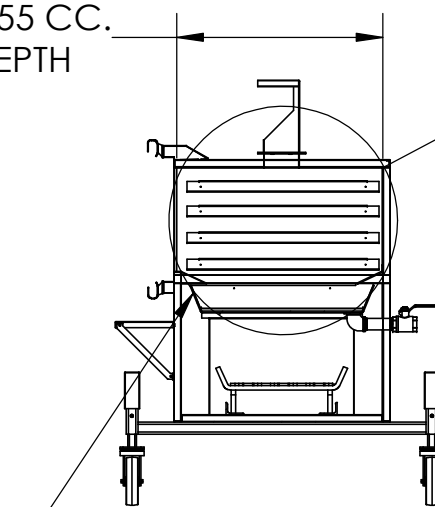
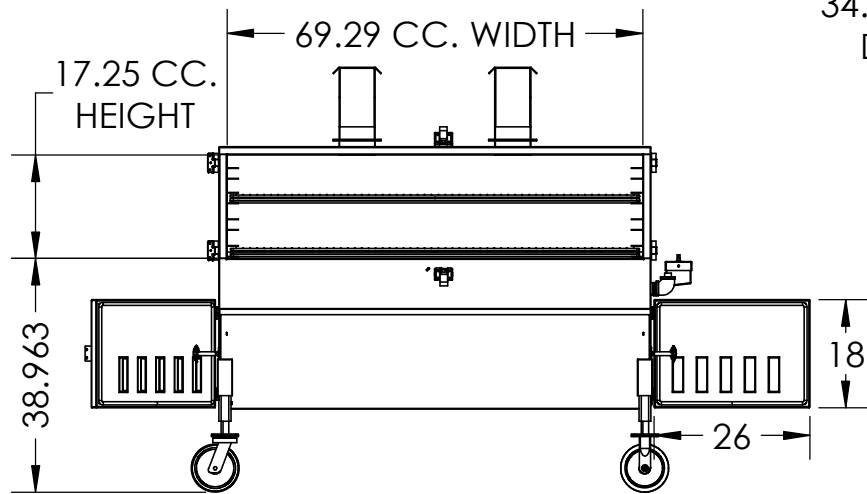
34.355 CC.
DEPTH

17.25 CC.
HEIGHT

69.29 CC. WIDTH

38.963

26



INTEGRATED WATER PAN
LOCATED BETWEEN THE
COOK CHAMBER & FIREBOX

179 Cross Rd. Waterford, CT. 06385
PHONE 1-855-HOG-RULES
Monday thru Friday: 8am-5pm EST
<https://myronmixonsmokers.com>

MODEL **MMS-72C**

DRAWN BY J. PFLOMM, M. WHITTLE

REV 02	DATE 6/13/2018	SHEET 3
--------	----------------	---------