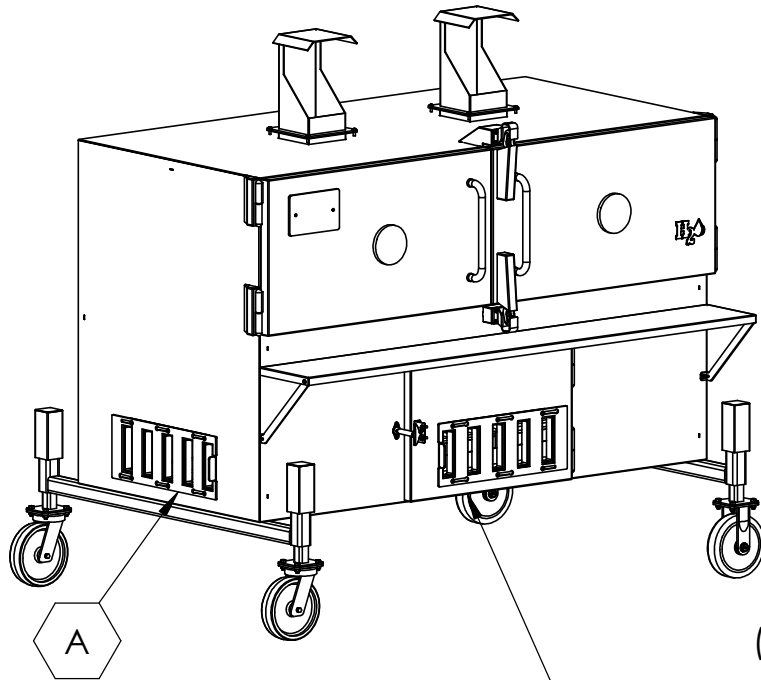
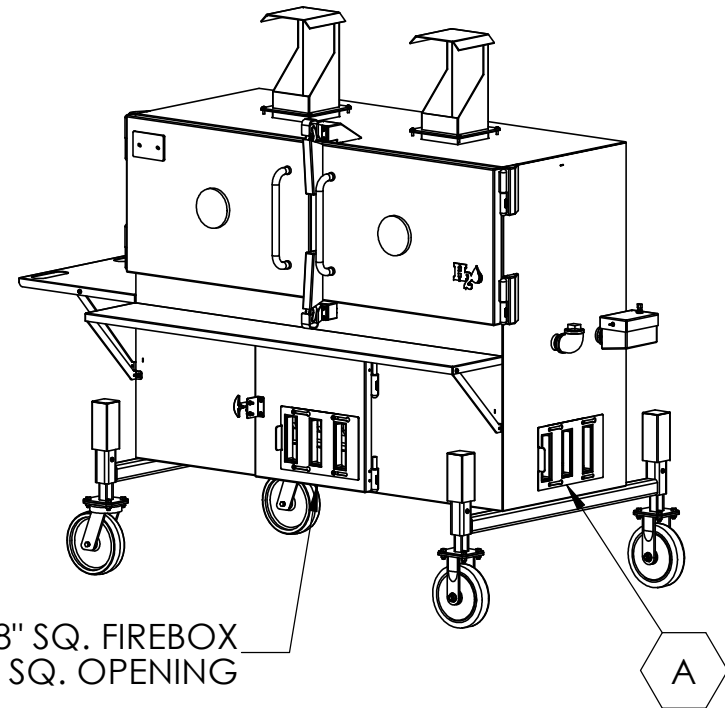


TYPICAL FIRE DOOR LAYOUT:
72, 72XC, 1K;
STANDARD & CERTIFIED



(LARGE) 26" X 18" FIREBOX
DOOR, 24" X 16" OPENING

TYPICAL FIRE DOOR LAYOUT:
36, 48, 60;
STANDARD & CERTIFIED



(STANDARD) 18" SQ. FIREBOX
DOOR, 16" SQ. OPENING

A. STAINLESS STEEL SLIDING DAMPERS ON
BOTH SIDES OF FIREBOX, IN PLACE OF DOORS

179 Cross Rd, Waterford, CT. 06385
PHONE 1-855-HOG-RULES
Monday thru Friday: 8am-5pm EST
<https://myronmixonsmokers.com>

MODEL **FRONT LOAD**

DRAWN BY J. PFLOMM, M. WHITTLE

REV	00	DATE	6/14/2018	SHEET	1
-----	----	------	-----------	-------	---