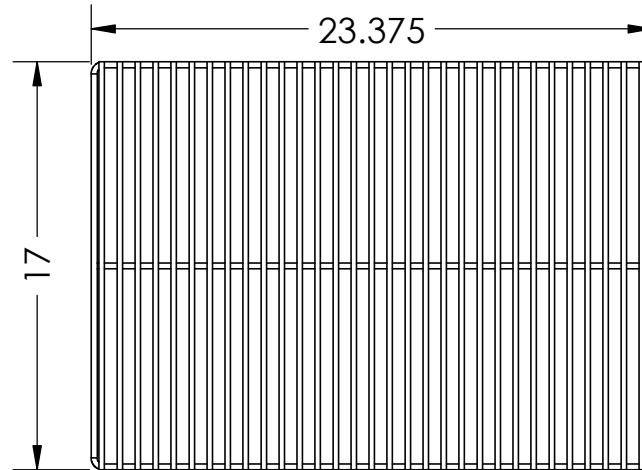
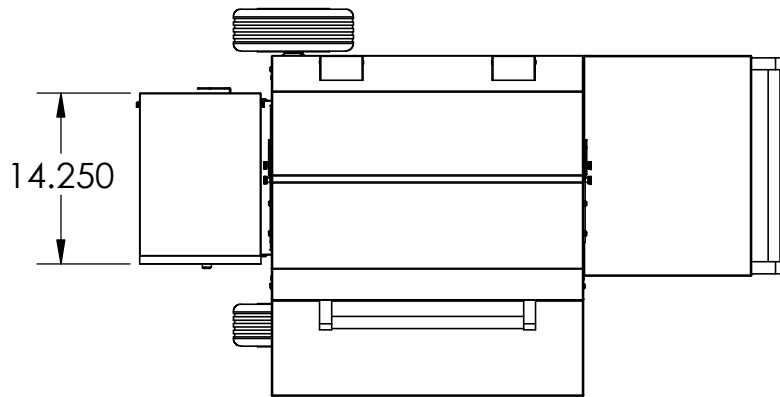
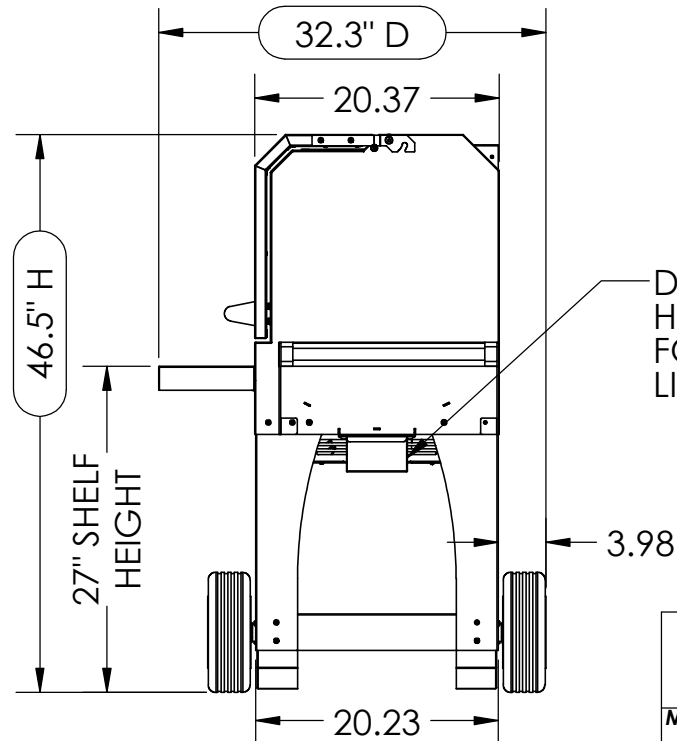
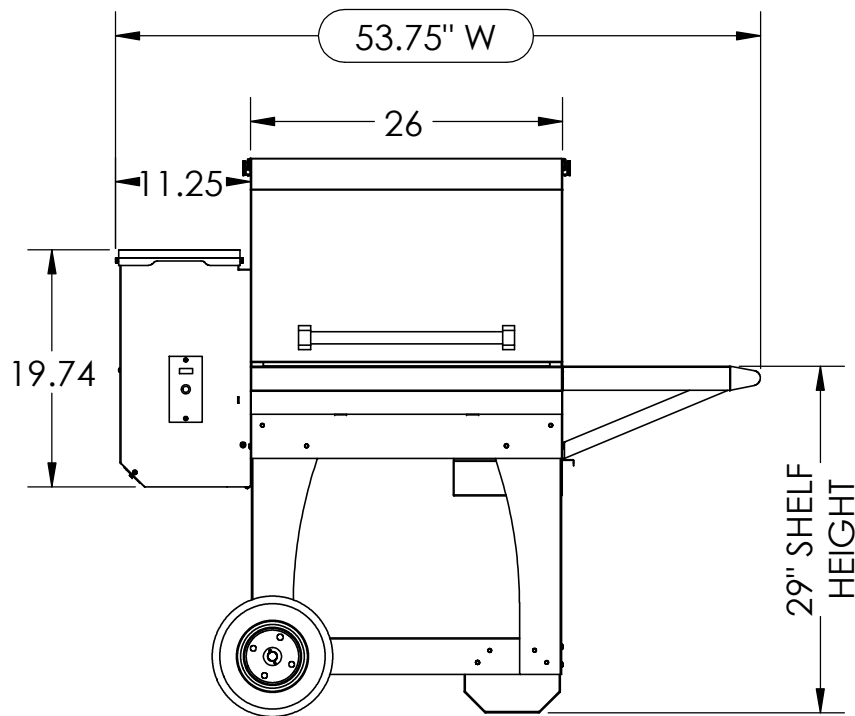


1. AMERICAN MADE
2. 14 GAUGE HEAVY WALL CONSTRUCTION
3. STAINLESS DOOR AND ACCENTS FOR EASY MAINTENANCE ON TOUCH POINTS
4. INTEGRATED EXHAUST PULLS COLD AIR OUT
5. HIGH-TEMPERATURE DURABLE POWDER COAT FINISH
6. CLEAN OUT TO CHANGE FLAVOR PELLETS
7. MAINTAINS TEMPERATURE VERY WELL
8. SMOKE, BAKE, GRILL, ROAST

180 Cross Rd, Waterford, CT. 06385		
PHONE 1-855-HOG-RULES		
Monday thru Friday: 8am-5pm EST		
https://myronmixonsmokers.com		
MODEL	BARQ-1700	
DRAWN BY	JRP	
REV	DATE	SHEET
06	11/29/2018	1



RACK AREA:
397 IN² PER RACK
1588 IN² MAX (4)



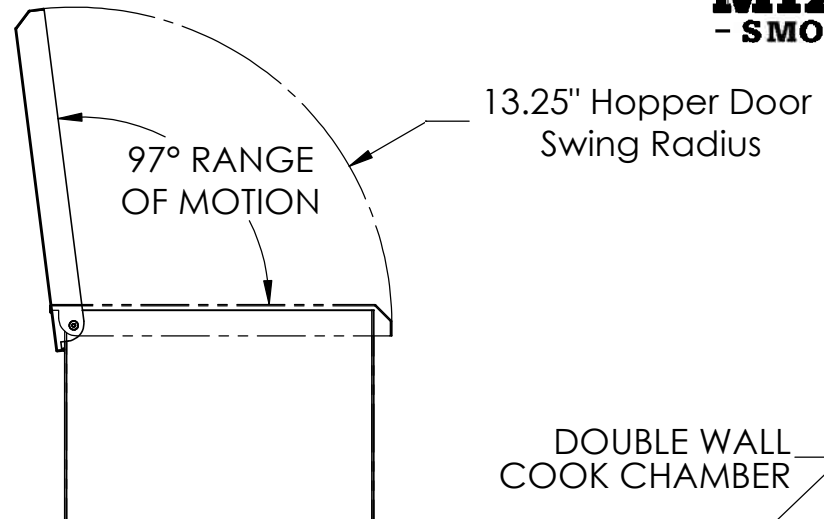
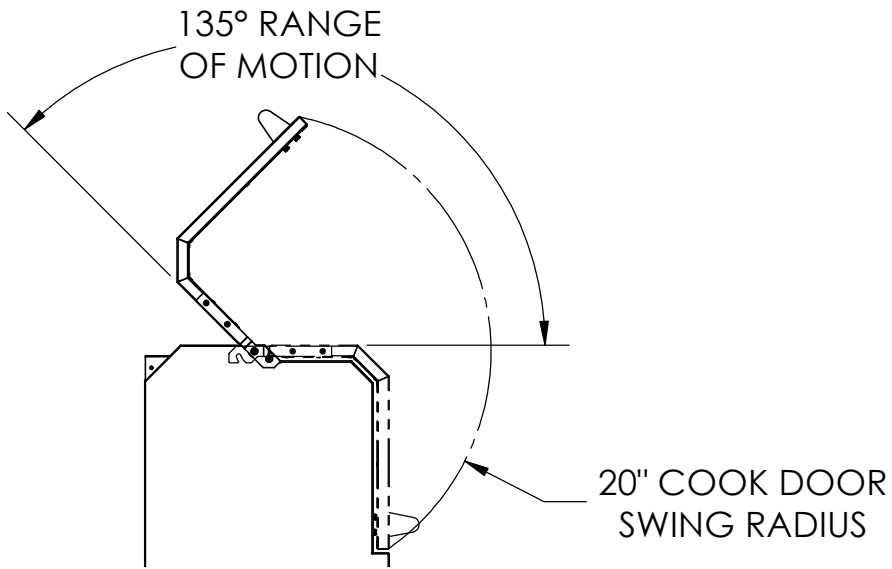
DRIP PAN:
HOLDS STANDARD
FOIL LOAF PAN AS
LINER

180 Cross Rd, Waterford, CT. 06385
PHONE 1-855-HOG-RULES
Monday thru Friday: 8am-5pm EST
<https://myronmixonsmokers.com>

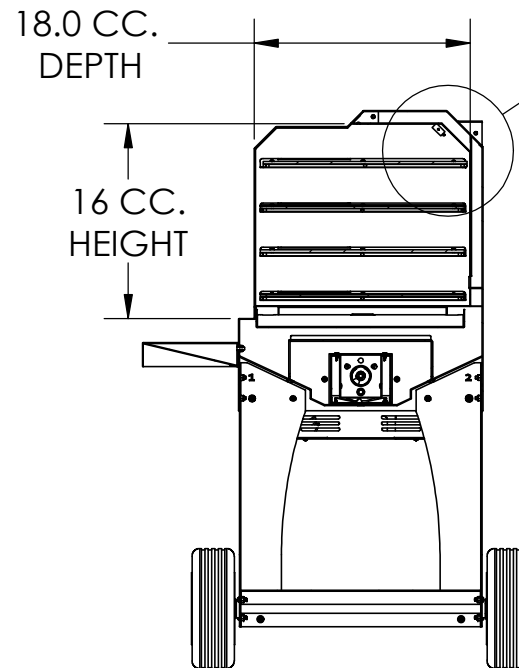
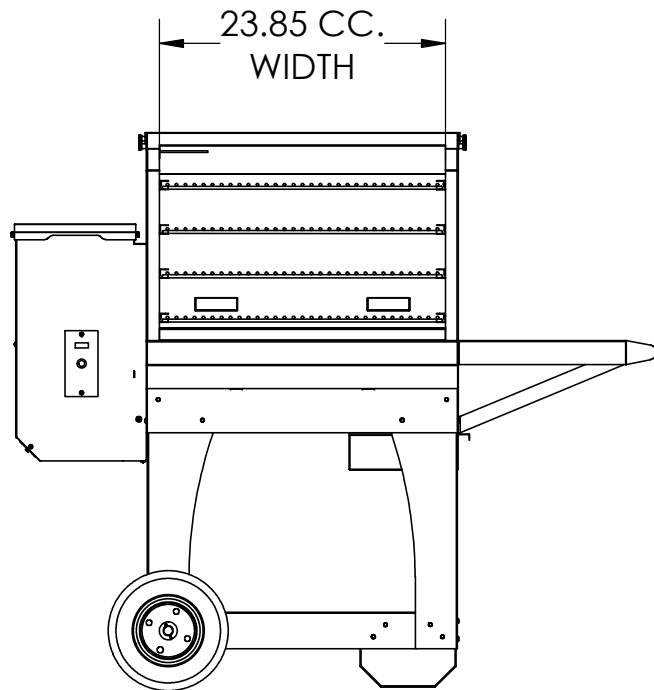
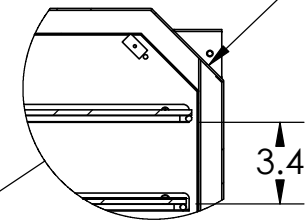
MODEL **BARQ-1700**

DRAWN BY JRP

REV	06	DATE	11/29/2018	SHEET	2
-----	----	------	------------	-------	---



DOUBLE WALL COOK CHAMBER



SECTION VIEW

- COOK CHAMBER**
1. STAINLESS INTERIOR
 2. FULLY WELDED
 3. EVENLY HEATED

180 Cross Rd, Waterford, CT. 06385
 PHONE 1-855-HOG-RULES
 Monday thru Friday: 8am-5pm EST
<https://myronmixonsmokers.com>

MODEL **BARQ-1700**

DRAWN BY JRP

REV 06	DATE 11/29/2018	SHEET 3
--------	-----------------	---------